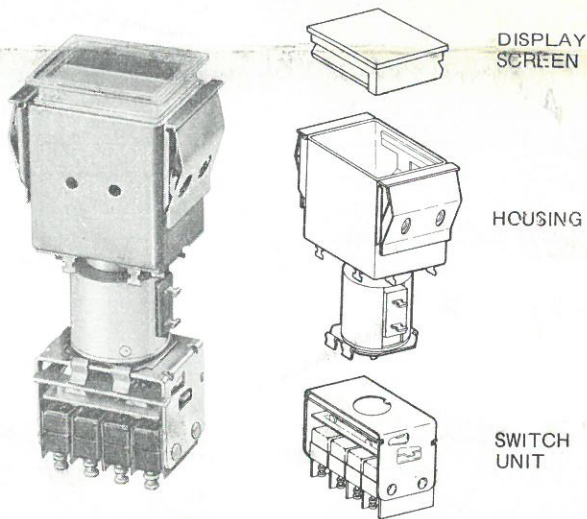


INSTALLATION INSTRUCTIONS

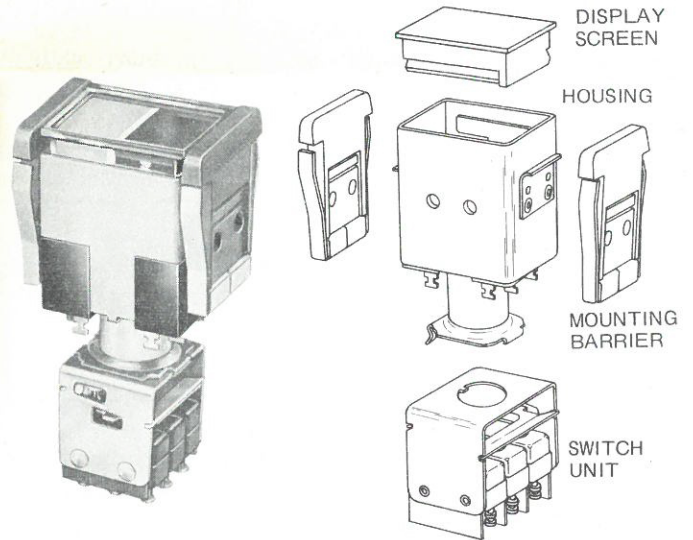
For SERIES 2 SWITCHES

COMPONENTS - 2C/2C200 OPERATORS

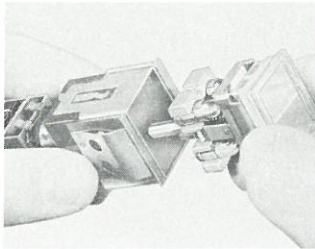
FLANGE MOUNT



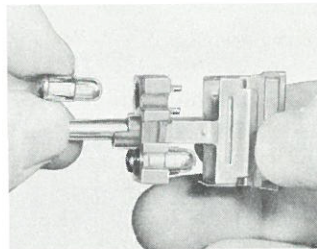
BARRIER MOUNT



LAMP REPLACEMENT PROCEDURE



1



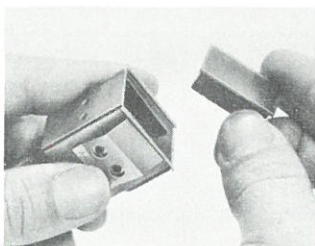
2

TYPE 2C200 AND 2F200 HOUSINGS ARE RELAMPED WITHOUT TOOLS

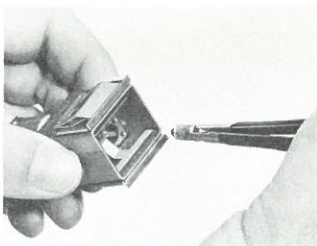
Type 2C200 (operator-indicator) and 2F200 (indicator only) housings have a separate lampholder sector that can be removed to enable replacement of lamps or filters, without tools. The unit is keyed to maintain proper orientation.

1. Remove display screen/lampholder assembly.
2. Relamp and replace assembly.

LAMPS: T-1 $\frac{3}{4}$ flange base lamps are recommended.



1



2

USE LAMP TOOL WITH TYPE 2C AND 2F HOUSINGS

To easily remove and replace lamps or color filters from Type 2C (operator-indicator) or 2F (indicator only) housings, a Catalog Listing 15PA32 lamp tool is inserted into the socket until it bottoms against the lamp base flange. The glass bulb portion of the lamp is gripped, when installing.

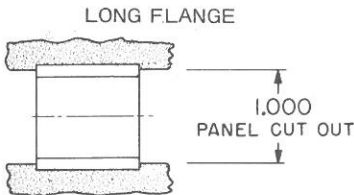
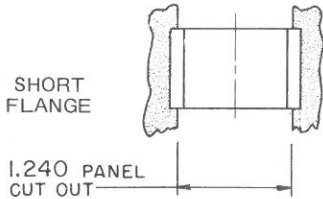
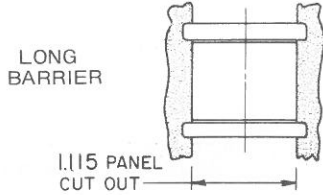
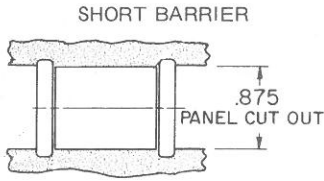
1. Remove display screen.
2. Relamp with 15PA32 tool and replace screen.

LAMPS: T-1 $\frac{3}{4}$ grooved base lamps are recommended.

Flange base lamps may be used but require care in insertion. Once flange base lamps have been used, the lamp socket will not retain a groove base lamp.

Consult Catalog 51 for other accessories, such as switch modules, display screen variations, etc.

PANEL CUTOUT DIMENSIONS



LENGTH OF PANEL CUTOUT*

TYPE OF INDICATOR OR OPERATOR-INDICATOR	NUMBER OF UNITS				
	1	2	3	4	5
SHORT BARRIER	1.421	2.677	3.932	5.186	6.441
	6	7	8	9	10
	7.696	8.951	10.205	11.460	12.715

TYPE OF INDICATOR OR OPERATOR-INDICATOR	NUMBER OF UNITS				
	1	2	3	4	5
LONG BARRIER	1.181	2.196	3.212	4.226	5.241
	6	7	8	9	10
	6.256	7.271	8.285	9.300	10.315

TYPE OF INDICATOR OR OPERATOR-INDICATOR	NUMBER OF UNITS				
	1	2	3	4	5
SHORT FLANGE**	.860	1.715	2.570	3.424	4.279
	6	7	8	9	10
	5.134	5.988	6.843	7.697	8.552

TYPE OF INDICATOR OR OPERATOR-INDICATOR	NUMBER OF UNITS				
	1	2	3	4	5
LONG FLANGE**	1.100	2.195	3.290	4.384	5.479
	6	7	8	9	10
	6.574	7.668	8.763	9.857	10.952

*Nominal dimensions in inches, tolerance $\pm .010$ (In 5% of the cases, the cutout will be undersized for the build-up of assembled units and will require enlargement).

**Add .165 inch to length for each optional spacing barrier used with flange mount units.

ASSEMBLY AND DIS-ASSEMBLY OF SWITCH MODULES

ASSEMBLY

The following procedure is recommended, particularly for frequent assembly and dis-assembly of switch modules.

1. Tab on switch bracket must be lined up with slot in bushing. (Figure 1)

2. Slip single wide flange on nut over edge of bracket. (Figure 2)

3. Place pliers carefully under bracket top and on mounting clip and squeeze bracket into place. (Figure 2).

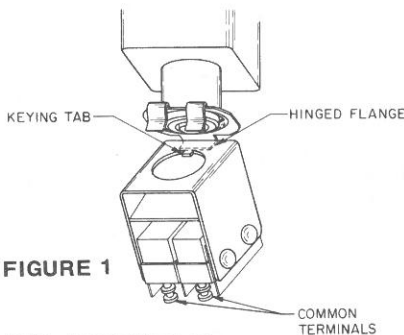


FIGURE 1

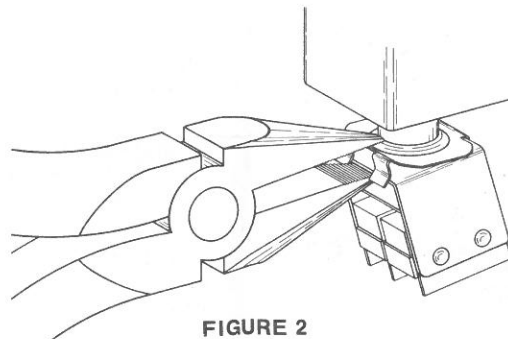


FIGURE 2

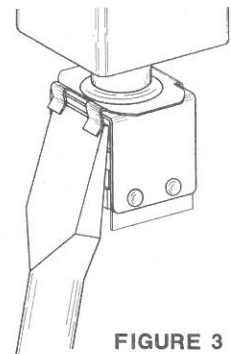


FIGURE 3

DIS-ASSEMBLY

For dis-assembly, use a wide blade screwdriver and, prying gently against the two fingers of the mounting clip, pivot the switch module out (Figure 3).

MICRO SWITCH

FREEPORT, ILLINOIS 61032

A DIVISION OF HONEYWELL