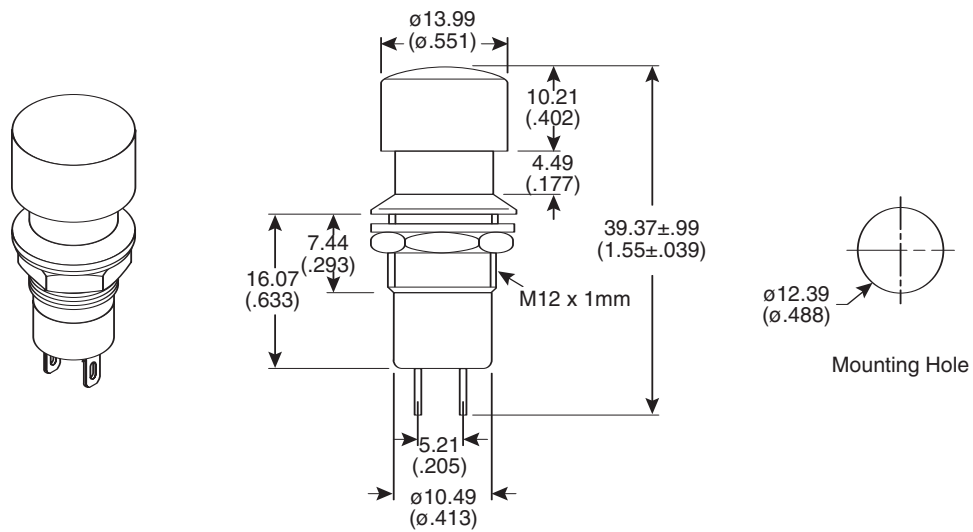


Dimensions: mm (In.)



Electrical Specifications:

- Rating: 3A/ 250VAC
- Contact resistance: 50mΩ max.
- Insulation resistance: 100MΩ min. @ 500VDC
- Dielectric strength: 1000VAC for 1 minute

Mechanical Specifications:

- Circuit: 2P SPST off-(on)

Pushbutton Switch
103-2022

