

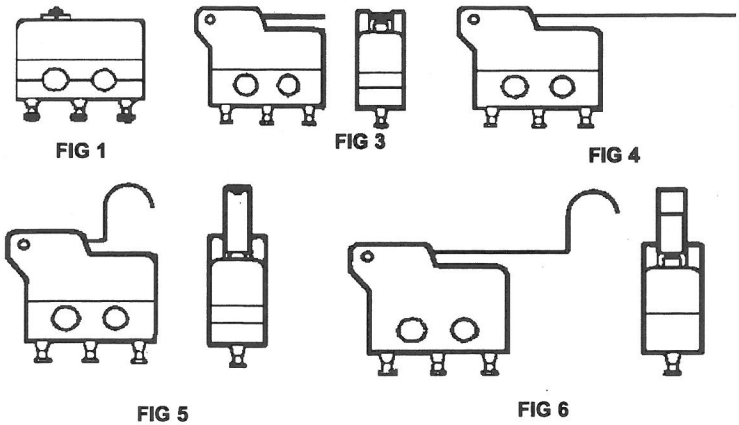
# MICRO SWITCH

## SUBMINIATURE BASIC SWITCHES

### SX GENERAL INFORMATION

SX subminiature basic switches are the smallest snap-action switches from MICRO SWITCH. These switches are ideal where saving space and weight are important. Unless otherwise noted, all listings have silver contacts.

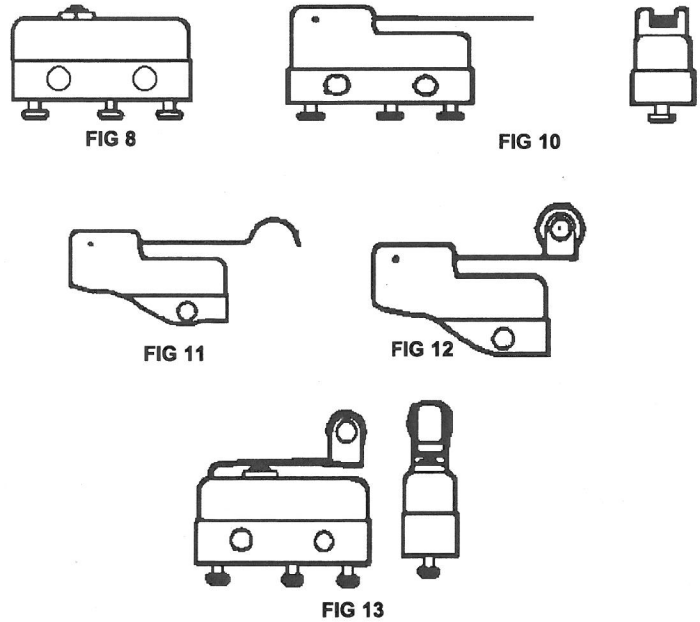
Part Number	Price	Recommended For	FIG #	Electrical Data and U.L. Codes
11SX21-T	\$ 6.28	Most Applications	1	5 Amps L4
1SX1-T	7.19	Up to 7 amps load handling	1	7 Amps L7
2SX1-T	8.37	lower force	1	7 Amps L7
11SX1-T	7.74	lowest differential travel	1	3 Amps L122
21SX1-T	9.28	Best stability under varying humidity	1	7 Amps L7
3SX1-T	8.78	Applications requiring gold contacts	1	1 Amp L22
311SX1-T	7.33	.135 inch straight lever	3	5 Amps / L4
311SX2-T	7.51	.505 inch straight lever	3	5 Amps / L4
311SX3-T	7.74	.965 inch straight lever	4	5 Amps / L4
311SX4-T	7.92	.042 inch simulated roller lever	5	5 Amps / L4
311SX5-T	8.14	.459 inch simulated roller lever	6	5 Amps / L4



### SM GENERAL INFORMATION

SM subminiature switches are slightly larger than SX switches. These switches combine small size and light weight with ample electrical capacity, precision operation and long life. Unless otherwise noted, all listings have silver contacts.

Part Number	Price	Recommended For	FIG #	Electrical Data and U.L. Codes
1SM1	\$4.10	Original design. Solder Posts.	8	5 Amps / L4
1SM1-T	4.28	Original design. Solder terminals	8	5 Amps / L4
11SM1	3.05	Most applications, long life. Solder post,	8	5 Amps / L4
11SM1-T	3.05	Same as above. Solder terminals.	8	5 Amps / L4
11SM3-T	3.14	Operating in temperatures to +250°F	8	5 Amps / L4
11SM401-T	6.51	Less differential travel	8	5 Amps / L4
11SM701-T	3.14	Lower force	8	4 Amps / L119
411SM1	7.42	Sealed plunger construction	8	5 Amps / L4
311SM1-T	3.73	.285 inch straight lever	10	5 Amps / L4
311SM701-T	3.82	.285 inch straight lever. Lower Force	10	4 Amps / L119
311SM2-T	3.59	.565 inch straight lever	10	5 Amps / L4
311SM702-T	3.82	.565 inch straight lever. Lower force	10	4 Amps / L119
311SM3-T	3.59	1.765 inch straight lever	10	5 Amps / L4
311SM703-T	3.82	1.765 inch straight lever. Lower force	10	4 Amps / L119
311SM4-T	3.73	.251 inch simulated roller lever.	11	5 Amps / L4
311SM704-T	3.96	.251 inch simulated roller Lever. Lower force	11	4 Amps / L119
311SM5-T	3.91	.535 inch simulated roller lever.	11	5 Amps / L4
311SM705-T	4.00	.535 inch simulated roller Lever. Lower force	11	4 Amps / L119
311SM6-T	4.05	.251 inch roller lever.	12	5 Amps / L4
311SM706-T	4.37	.251 inch roller Lever. Lower force	12	4 Amps / L119
111SM1-T	4.60	Force and stability of flexible leaf actuator. No roller	13	5 Amps / L4
111SM2-T	5.19	Flexible leaf with roller	13	5 Amps / L4

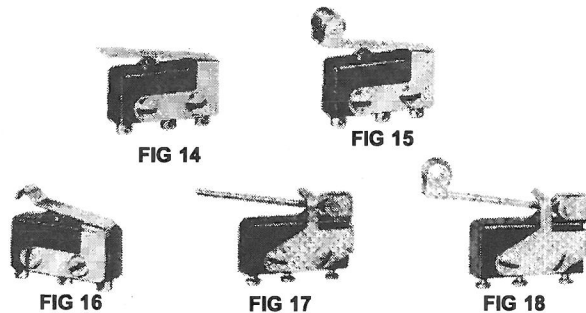


Prices listed in this catalog are for estimating purposes. Prices were correct first column net at the time the pages were composed. Prices are subject to change without notice. Quantity prices are available.

### AUXILIARY ACTUATORS

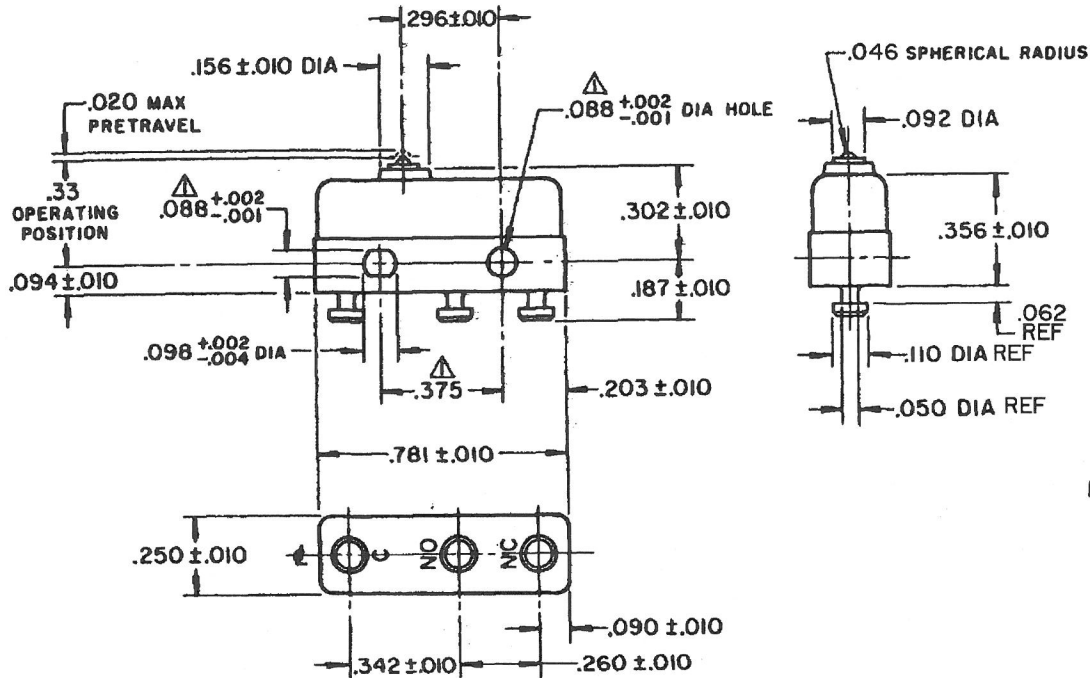
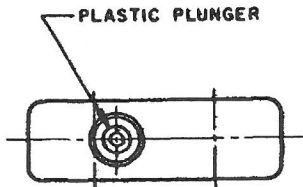
Part Number	Price	Description	FIG #	Actuator Length "A" inches
JS-2	\$ 1.37	Straight leaf	14	.66
JS-5	2.96	Roller leaf (Bronze Roller)	15	.59
JS-7	2.23	Formed leaf (Simulated Roller)	16	.58
JS-220	2.78	Straight lever	17	1.03
JS246	5.64	Roller lever (Steel roller)	18	1.00

Switches are not included with actuators



HONEYWELL  
PART NUMBER  
11SM701-T  
PRODUCT CODE  
TWY2000

REV	DOCUMENT	CHANGED BY	CHECK
8	0038442	SSK 31MAR08	BLR



**NOTE -**  
 ▲ - MOUNTING HOLES WILL ACCEPT PINS OR SCREWS OF .087 MAX DIA ON .375 ± .002 CENTERS  
 2-TERMINALS ARE PLATED FOR SOLDERING

RELEASE NO.	PR - 275
REPLACES	X38169 - SM

CHARACTERISTICS	
OPERATING FORCE	-- 56 GRAM MAX
RELEASE FORCE	-- 14 GRAM MIN
DIFFERENTIAL TRAVEL	-- .002 MAX
OVERTRAVEL	----- .005 MIN

ELECTRICAL DATA			
CONTACT ARRANGEMENT SPDT			
30 VOLTS DC RATING			
SEA LEVEL		50,000 FT	
INDUCTIVE	3 AMP	2.5 AMP	
RESISTIVE	5 AMP	5 AMP	
MAXIMUM INRUSH 24 AMP			
APPROVALS	UL, CSA	4A, 250 VAC	BRAND L119

DESIGN UNITS: INCH
TOLERANCES UNLESS NOTED:
NO PLACE .X ±
ONE PLACE .X ±
TWO PLACE .XX ±
THREE PLACE .XXX ±
FOUR PLACE .XXXX ±
ANGLES . ±
0.030
0.015
0.005
THIRD ANGLE PROJECTION

DRAWN	VK	06 FEB 08
CHECK	RJ	06 FEB 08
THIS DRAWING COVERS A PROPRIETARY ITEM AND IS THE PROPERTY OF HONEYWELL. THIS DRAWING IS NOT TO BE COPIED OR USED WITHOUT THE PERMISSION OF HONEYWELL.		
INTERPRET PER ANSI Y14.5M-1982 OTHER HONEYWELL ENGINEERING STANDARDS MAY APPLY		
RASTER		

<b>Honeywell</b>			
TITLE <b>SWITCH - BASIC</b>			
SIZE	TYPE	DRAWING NAME	REV
<b>B</b>	<b>I</b>	<b>11SM701-T</b>	<b>8</b>
SCALE	-	WEIGHT .006 LB MAX	SHEET 1 OF 1