

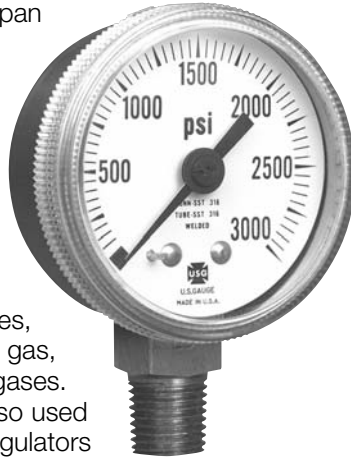


## Process Gauges

# Series 1500 Corrosion Resistant Pressure Gauges

### DESCRIPTION

The Models 1530 and 1535 are feature  $\pm 1\%$  of span accuracy and utilize 300 series stainless steel case. These heavy duty 2", 2-1/2" and 3-1/2" pressure gauges are specifically designed to withstand the corrosive atmospheres, such as salt air, sour gas, and other industrial gases. These gauges are also used in specialty gauge regulators and gas cabinets, as well as many other applications. The Model 1535 features all internal wetted surfaces of 316L, making these gauges ideally suited for use with corrosive process media.



The Model P1535 is available in pressure ranges from 30" Hg VAC-0 psi to 0-3000 psi. This precision gauge incorporates rugged case construction with rear pressure relief, and a seamless Bourdon tube with welded joints for heavy duty service.

This gauge is also available in a version for the semiconductor industry. Please reference our web site at [www.ametekusg.com](http://www.ametekusg.com).

### SPECIFICATIONS

SIZE: 2", 2-1/2", and 3-1/2"

CASE: Drawn stainless steel polished with pressure relief in back of case

RING AND WINDOW: One piece, threaded polycarbonate

POINTER: Aluminum, adjustable, black finish

DIAL: Aluminum, white background with black markings; dual scale dials available in some pressure ranges

#### BOURDON TUBE

P-1530: Beryllium copper, silver brazed

P-1535: 316L seamless stainless steel

#### CONNECTION

P-1530: 1/4-18 ANPT brass

P-1535: 1/4-18 ANPT 316L stainless steel

RANGE: VAC-0-30 psi to 3000 psi

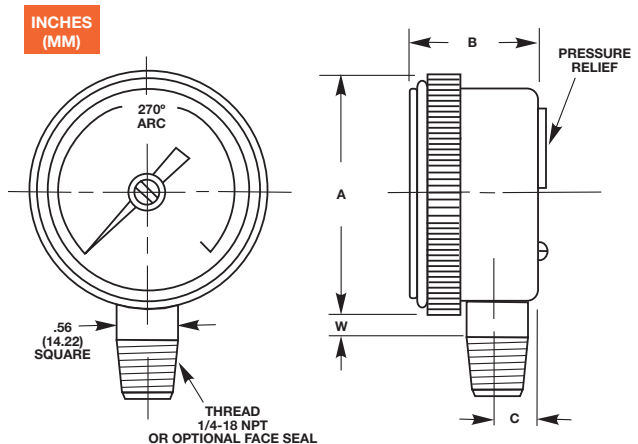
#### ACCURACY (Grade 1A):

$\pm 1\%$  of span for range to but not including 3000 psi

$\pm 2\%$  of span for ranges 3000 psi and above

SCALES: psi, bar, kg/cm<sup>2</sup>, kPa (single or dual scale)

MODEL NUMBER	DIAL SIZE	UNIT	A	B	C	W
1535	2"	inches mm	2.28 57.9	1.18 30	.41 10.4	.24 6.1
1530	2-1/2"	inches mm	2.83 71.9	1.22 31	.41 10.4	.23 5.8
1535	2-1/2"	inches mm	2.83 71.9	1.22 31	.41 10.4	.23 5.8
1535	3-1/2"	inches mm	3.88 98.6	1.17 29.7	.41 10.4	.44 11.2



© 2006, by AMETEK, Inc. All rights reserved. PDF606 (160126) Specifications are subject to change without notice. Visit our Web sites for the most up-to-date information.

**AMETEK**

**ISO 9001:2000**  
CERTIFIED

For Gauges/Thermometers:

**U.S. GAUGE**  
820 Pennsylvania Blvd.  
Feasterville, PA 19053 U.S.A.  
Tel: (215) 355-6900  
Fax: (215) 354-1802  
[www.ametekusg.com](http://www.ametekusg.com)

Customer Service Tel: (863) 534-1504  
Customer Service Fax: (863) 533-7465

For Electronic Products:

**PMT PRODUCTS**  
820 Pennsylvania Blvd.  
Feasterville, PA 19053 U.S.A.  
Tel: (215) 355-6900  
Fax: (215) 354-1800  
[www.ametekusg.com](http://www.ametekusg.com)

For Diaphragm Seals:

**M&G PRODUCTS**  
8600 Somerset Drive  
Largo, FL 33773 U.S.A.  
Tel: (727) 536-7831  
Fax: (727) 539-6882  
[www.ametek.com/tci](http://www.ametek.com/tci)



# Process Gauges

## Series 1500 Corrosion Resistant Pressure Gauges

### SPEC NUMBER SELECTION CHART

#### Series 1500

	Model 1530 1/4-18 ANPT Low Mount	Model 1535 1/4-18 ANPT Low Mount	Model 1535 1/4-18 ANPT Low Mount	Model 1535 1/4-18 ANPT Low Mount
<b>Bourdon Tube</b>	Beryllium Copper	316L Stainless Steel	316L Stainless Steel	316L Stainless Steel
<b>Connection</b>	Brass	316L Stainless Steel	316L Stainless Steel	316L Stainless Steel
<b>Size</b>	2-1/2"	2"	2-1/2"	3-1/2"
<b>Range</b>	<b>Spec No.</b>	<b>Spec No.</b>	<b>Spec No.</b>	<b>Spec No.</b>
30"-0-30 psi	-	148953	-	88973
30"-0-60 psi	-	149641	-	-
30"-0-150 psi	-	149642	-	-
0-15 psi	110780	148954*	110792*	-
30 psi	110781	148955	110793	88885
60 psi	110782	148956	110794	88124
100 psi	110688	148957	110690	88125
160 psi	110783	148958	110795	88886
200 psi	110784	148959	110796	88887
300 psi	110785	148960	110797	88888
400 psi	-	148961	110798	-
600 psi	110787	148962	110799	88889
1000 psi	110788	148963	110800	121617
1500 psi	-	148964	110801	-
2000 psi	-	148965	110802	89253
3000 psi	-	148966	148182	101417

\* Dial graduated on 180° arc

© 2006, by AMETEK, Inc. All rights reserved. PDF606 (160126) Specifications are subject to change without notice. Visit our Web sites for the most up-to-date information.



For Gauges/Thermometers:

**U.S. GAUGE**  
820 Pennsylvania Blvd.  
Feasterville, PA 19053 U.S.A.  
Tel: (215) 355-6900  
Fax: (215) 354-1802  
www.ametekusg.com

Customer Service Tel: (863) 534-1504  
Customer Service Fax: (863) 533-7465

For Electronic Products:

**PMT PRODUCTS**  
820 Pennsylvania Blvd.  
Feasterville, PA 19053 U.S.A.  
Tel: (215) 355-6900  
Fax: (215) 354-1800  
www.ametekusg.com

For Diaphragm Seals:

**M&G PRODUCTS**  
8600 Somerset Drive  
Largo, FL 33773 U.S.A.  
Tel: (727) 536-7831  
Fax: (727) 539-6882  
www.ametek.com/tci





## Process Gauges and Specialty Gas Gauges

# Model P1521 1-1/2" Corrosion Resistant Pressure Gauge

### DESCRIPTION

The compact Model P1521 is an all-stainless steel pressure gauge featuring Type 316L SST internal wetted components and a polished 304 SST case to withstand corrosive media and atmospheres. These gauges are ideally suited for industrial and specialty gas applications.

### FEATURES

- Type 316L stainless steel wetted parts
- Small size
- Pressure ranges to 6000 psi
- Low mount and center back connections
- Standard catalog gauges have easy-to-read single scale psi dials
- Low cost
- Custom dials available in OEM quantities

### APPLICATIONS

- Process industry applications requiring SST wetted parts
- Valve positioners
- Controllers
- Specialty Gas applications

### SPECIFICATIONS

SIZE: 1-1/2"

CASE: 304 polished stainless steel

WINDOW: Snap-in style, polycarbonate

POINTER: Galvalume, black finish

DIAL: Galvalume, white background with black markings

BOURDON TUBE: 316L stainless steel

MOVEMENT: 304 stainless steel

CONNECTION: 1/8-27 NPT center back (CBM) or low mount (LM); other connections available in OEM quantities

RANGES: 30" Hg to 0 through 0 to 6000 psi (please reference pressure ranges on next page, in SPEC NUMBER SELECTION CHART); other pressure ranges available in OEM quantities

ACCURACY:  $\pm 3-2-3\%$  of span (ASME B40.1 Grade B)

SCALES: Single psi scale standard on catalog part numbers; dual scales and other single scales such as bar, kPa, Kg/cm<sup>2</sup>, etc. available upon request in OEM quantities. Please contact Customer Service for more information.

OPERATING TEMPERATURE:

Ambient: -4°F to 140°F (-20°C to 60°C)

Media: Maximum 185°F (85°C)

OTHER OPTIONS: O<sub>2</sub> cleaning, helium leak testing, SST restrictor, special connections, etc. Please contact Customer Service with your specifications.



© 2006, by AMETEK, Inc. All rights reserved. PDF606 (160126) Specifications are subject to change without notice. Visit our Web sites for the most up-to-date information.



For Gauges/Thermometers:

**U.S. GAUGE**  
 820 Pennsylvania Blvd.  
 Feasterville, PA 19053 U.S.A.  
 Tel: (215) 355-6900  
 Fax: (215) 354-1802  
 www.ametekusg.com

Customer Service Tel: (863) 534-1504  
 Customer Service Fax: (863) 533-7465

For Electronic Products:

**PMT PRODUCTS**  
 820 Pennsylvania Blvd.  
 Feasterville, PA 19053 U.S.A.  
 Tel: (215) 355-6900  
 Fax: (215) 354-1800  
 www.ametekusg.com

For Diaphragm Seals:

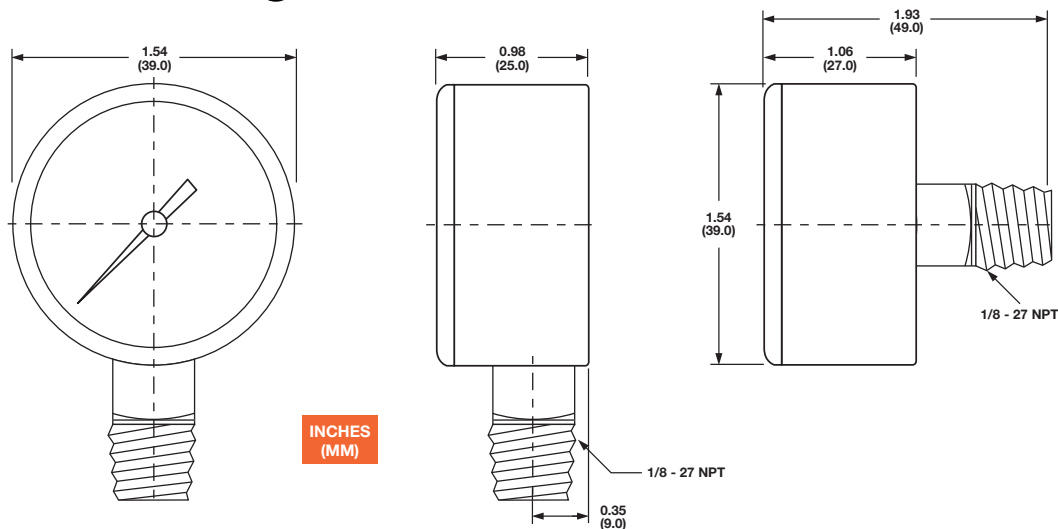
**M&G PRODUCTS**  
 8600 Somerset Drive  
 Largo, FL 33773 U.S.A.  
 Tel: (727) 536-7831  
 Fax: (727) 539-6882  
 www.ametek.com/tci





# Process Gauges and Specialty Gas Gauges

## Model P1521 1-1/2" Corrosion Resistant Pressure Gauge



### SPEC NUMBER SELECTION CHART

	1/8-27 NPT Low Mount	1/8-27 NPT Center Back Mount
<b>Bourdon Tube</b>	316L Stainless Steel	316L Stainless Steel
<b>Connection</b>	316L Stainless Steel	316L Stainless Steel
<b>Size</b>	1-1/2"	1-1/2"
<b>Range</b>	<b>Spec No.</b>	<b>Spec No.</b>
30" Hg	266252A	266273A
30"-0-15 psi	266253A	266274A
30"-0-30 psi	266254A	266275A
30"-0- 60 psi	266255A	266276A
30"-0-100 psi	266256A	266277A
15 psi	266257A	266278A
30 psi	266258A	266279A
60 psi	266259A	266280A
100 psi	266260A	266281A
160 psi	266261A	266282A
200 psi	266262A	266283A
300 psi	266263A	266284A
400 psi	266264A	266285A
600 psi	266265A	266286A
800 psi	266266A	266287A
1000 psi	266267A	266288A
1500 psi	266268A	266289A
2000 psi	266269A	266290A
3000 psi	266270A	266291A
5000 psi	266271A	266292A
6000 psi	266272A	-

© 2006, by AMETEK, Inc. All rights reserved. PDF606 (160126) Specifications are subject to change without notice. Visit our Web sites for the most up-to-date information.



For Gauges/Thermometers:

**U.S. GAUGE**  
 820 Pennsylvania Blvd.  
 Feasterville, PA 19053 U.S.A.  
 Tel: (215) 355-6900  
 Fax: (215) 354-1802  
 www.ametekusg.com  
 Customer Service Tel: (863) 534-1504  
 Customer Service Fax: (863) 533-7465

For Electronic Products:

**PMT PRODUCTS**  
 820 Pennsylvania Blvd.  
 Feasterville, PA 19053 U.S.A.  
 Tel: (215) 355-6900  
 Fax: (215) 354-1800  
 www.ametekusg.com

For Diaphragm Seals:

**M&G PRODUCTS**  
 8600 Somerset Drive  
 Largo, FL 33773 U.S.A.  
 Tel: (727) 536-7831  
 Fax: (727) 539-6882  
 www.ametek.com/tci





## Process Gauges and Specialty Gas Gauges

# Model P1522 2" Corrosion Resistant Pressure Gauge

### DESCRIPTION

The Model P1522 is an all-stainless steel pressure gauge featuring Type 316L SST internal wetted components and a polished 304 SST case to withstand corrosive media and atmospheres. These gauges are ideally suited for industrial and specialty gas applications.

### FEATURES

- Type 316L stainless steel wetted parts
- Pressure ranges to 6000 psi
- Standard catalog gauges have easy-to-read single scale psi dials
- Low cost
- Custom dials available in OEM quantities

### APPLICATIONS

- Process industry applications requiring SST wetted parts
- Specialty Gas Regulators
- Specialty Gas Manifolds
- Specialty Gas Control Cabinets

### SPECIFICATIONS

SIZE: 2"

CASE: 304 polished stainless steel standard; steel, chrome plated available as an OEM option

WINDOW: Twist-on style, polycarbonate

POINTER: Galvalume, black finish

DIAL: Galvalume, white background with black markings

BOURDON TUBE: 316L stainless steel

MOVEMENT: 304 stainless steel

CONNECTION: 1/4-18 NPT standard, center back (CBM) or low mount (LM); other connections available in OEM quantities

RANGES: 30" Hg to 0 through 0 to 6000 psi (please reference pressure ranges on next page, in SPEC NUMBER SELECTION CHART); other pressure ranges available in OEM quantities

ACCURACY:  $\pm 3-2-3\%$  of span (ASME B40.1 Grade B)  $\pm 1\%$  accuracy on low pressure/ $\pm 2\%$  accuracy on high pressure gauges available in OEM quantities. Please contact Customer Service

SCALES: Single psi scale standard on catalog part numbers; dual scales and other single scales such as bar, kPa, Kg/cm<sup>2</sup>, etc. available upon request in OEM quantities. Please contact Customer Service for more information.

OPERATING TEMPERATURE:

Ambient: -4°F to 140°F (-20°C to 60°C)

Media: Maximum 185°F (85°C)

OTHER OPTIONS: O<sub>2</sub> cleaning, helium leak testing, SST restrictor, custom dials, special connections, etc. Please contact Customer Service with your specifications.



© 2006, by AMETEK, Inc. All rights reserved. PDF606 (160126) Specifications are subject to change without notice. Visit our Web sites for the most up-to-date information.

**AMETEK<sup>®</sup>**

For Gauges/Thermometers:

**U.S. GAUGE**  
 820 Pennsylvania Blvd.  
 Feasterville, PA 19053 U.S.A.  
 Tel: (215) 355-6900  
 Fax: (215) 354-1802  
 www.ametekusg.com

Customer Service Tel: (863) 534-1504  
 Customer Service Fax: (863) 533-7465

For Electronic Products:

**PMT PRODUCTS**  
 820 Pennsylvania Blvd.  
 Feasterville, PA 19053 U.S.A.  
 Tel: (215) 355-6900  
 Fax: (215) 354-1800  
 www.ametekusg.com

For Diaphragm Seals:

**M&G PRODUCTS**  
 8600 Somerset Drive  
 Largo, FL 33773 U.S.A.  
 Tel: (727) 536-7831  
 Fax: (727) 539-6882  
 www.ametek.com/tci

**ISO 9001:2000**  
 CERTIFIED

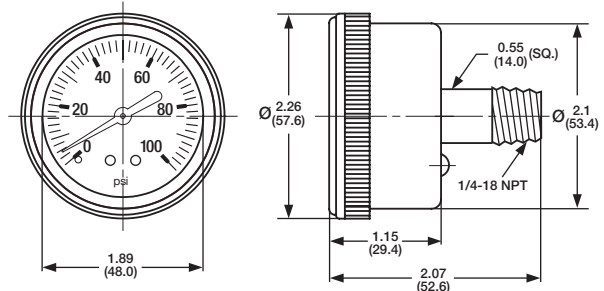


# Process Gauges and Specialty Gas Gauges

## Model P1522 2" Corrosion Resistant Pressure Gauge

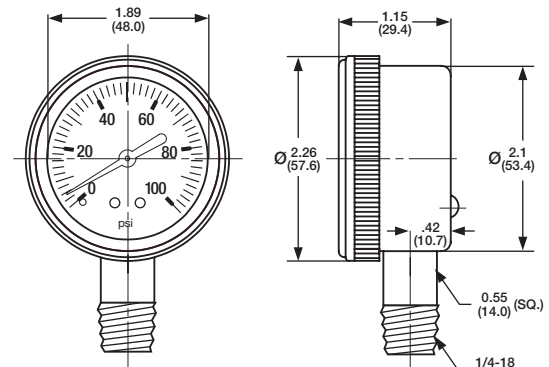
### SPEC NUMBER SELECTION CHART

	Model P1522 1/4-18 NPT Low Mount	Model P1522 1/4-18 NPT Center Back Mount
<b>Bourdon Tube</b>	316 Stainless Steel	316 Stainless Steel
<b>Connection</b>	316 Stainless Steel	316 Stainless Steel
<b>Size</b>	2 Inch	2 Inch
<b>Range</b>	<b>Spec Number</b>	<b>Spec Number</b>
30" Hg	172028A	172050A
30"-0-15 psi	172029A	172051A
30"-0-30 psi	172030A	172052A
30"-0-60 psi	172031A	172053A
30"-0-100 psi	172032A	172054A
15 psi	172033A	172055A
30 psi	172034A	172056A
60 psi	172035A	172057A
100 psi	172036A	172058A
160 psi	172037A	172059A
200 psi	172038A	172060A
300 psi	172039A	172061A
400 psi	172040A	172062A
600 psi	172041A	172063A
800 psi	172042A	172064A
1000 psi	172043A	172065A
1500 psi	172044A	172066A
2000 psi	172045A	172067A
3000 psi	172046A	172068A
4000 psi	172047A	172069A
5000 psi	172048A	172070A
6000 psi	172049A	-



CENTER BACK MOUNT  
(CBM)

INCHES  
(MM)



LOWER MOUNT  
(LM)

© 2006, by AMETEK, Inc. All rights reserved. PDF606 (160126) Specifications are subject to change without notice. Visit our Web sites for the most up-to-date information.



For Gauges/Thermometers:

**U.S. GAUGE**  
820 Pennsylvania Blvd.  
Feasterville, PA 19053 U.S.A.  
Tel: (215) 355-6900  
Fax: (215) 354-1802  
www.ametekusg.com

Customer Service Tel: (863) 534-1504  
Customer Service Fax: (863) 533-7465

For Electronic Products:

**PMT PRODUCTS**  
820 Pennsylvania Blvd.  
Feasterville, PA 19053 U.S.A.  
Tel: (215) 355-6900  
Fax: (215) 354-1800  
www.ametekusg.com

For Diaphragm Seals:

**M&G PRODUCTS**  
8600 Somerset Drive  
Largo, FL 33773 U.S.A.  
Tel: (727) 536-7831  
Fax: (727) 539-6882  
www.ametek.com/tci

