



PROCESS GAUGES

SOLFRUNT® 6" Models 1901, 1903, 1931

DESCRIPTION

Series 1900 6" SOLFRUNT gauges are used where the distance between operator and gauge requires expanded dial graduations for increased readability. Panel or stem mounted, these gauges offer the same rugged construction, accuracy and calibration features as the 4-1/2" series.



**SOLFRUNT
Model 1903**

SOLFRUNT Model 1931

SPECIFICATIONS

SIZES: 6"

RANGES: 30" Hg VAC, 0-15, 30, 60, 100, 160, 200, 300, 400, 600, 1000, 1500, 2300, 3500, 6000. For figure intervals and graduations, see the Standard Dial Ranges charts in this section.

ACCURACY: ±0.5% of span (Grade 2A)

BOURDON TUBE: Phosphor bronze/silver brazed; 316L stainless steel/heli-arc welded

WINDOW: Acrylic

MOVEMENT: Geared ARC-LOC with components of corrosion resistant 300 series stainless steel. Movement can be removed for examination and cleaning without disturbing span and scale shape adjustments

DIAL: Aluminum, white background and black markings

POINTER: Aluminum, micrometer adjustable with black finish

CASE AND RING:

For Stem or Wall Mounting:

Cast aluminum, back-flanged case with threaded ring, black finish, and BUNA-N pressure-relieving back (Model 1901, 1931)

For Panel Mounting:

Cast aluminum, front-flanged case with steel hinged ring with black finish and BUNA-N pressure-relieving back (Model 1903)

CONNECTION: Brass or 316L stainless steel, 1/2-14 ANPT standard (1/4-18 ANPT optional).

Model Selection Chart

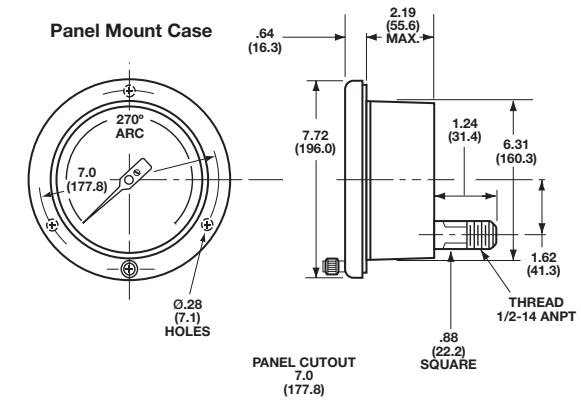
Model Number	Mounting	Case	Ring	Bourdon Tube	Socket	Connection*
1901	Stem/Wall	Aluminum Back Flanged	Threaded Aluminum	Phosphor Bronze	Brass	1/2-14 ANPT LM
1931	Stem/Wall	Aluminum Back Flanged	Threaded Aluminum	316L Stainless Steel	316L Stainless Steel	1/2-14 ANPT LM
1903	Flush Panel	Aluminum Front Flanged	Hinged Steel	Phosphor Bronze	Brass	1/2-14 ANPT LBM

* 1/4 - 18 ANPT optional

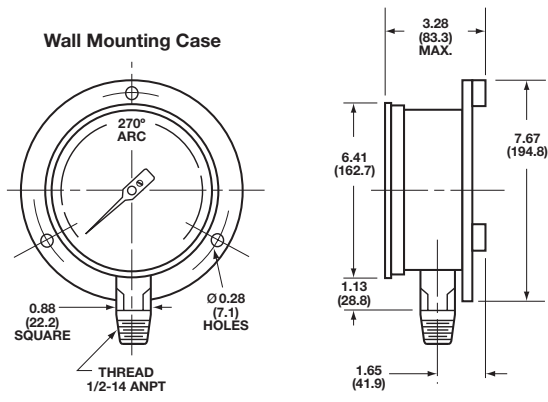


PROCESS GAUGES

SOLFRUNT® 6" Models 1901, 1903, 1931



**INCHES
(MM)**



Spec Number Selection Chart			
SOLFRUNT 6" Gauges			
Model Number	1901	1931	1903
Bourdon Tube	Phosphor Bronze	316L Stainless Steel	Phosphor Bronze
Socket	Brass	316L Stainless Steel	Brass
Sizes	6"	6"	6"
Ranges	Spec No.	Spec No.	Spec No.
30"-0-15 psi	132502	132518	132540
0-15 psi	132507	132523	132545
0-30 psi	132508	132524	132546
0-60 psi	132509	132525	132547
0-100 psi	132510	132526	132548
0-160 psi	132511	132527	132549
0-200 psi	132512	132528	132550
0-300 psi	132513	132529	132551
0-400 psi	132514	-	132552
0-600 psi	132515	132531	132553
0-1000 psi	132516	132533	132554
0-1500 psi	-	132534	-
0-2300 psi	-	130394	-
0-3500 psi	-	130395	-
0-6000 psi	-	130396	-

1/4-18 ANPT – use 133XXX when ordering