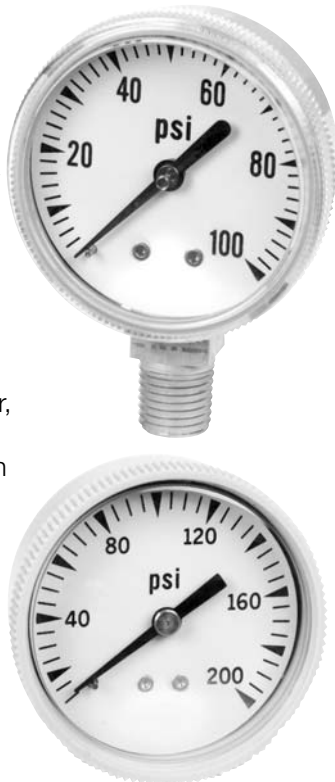




## General Purpose Gauges Model P-590K ABS Case Gauges

### DESCRIPTION

The ABS case gauges are weather and rust resistant. The ABS case and polycarbonate window are resistant to most chemicals, allowing continuous exposure to many chemical, petrochemical, and industrial plant atmospheres. However, these gauges are suitable only for use on process media which are non-corrosive to brass, phosphor bronze, or beryllium copper.



### SPECIFICATIONS

SIZES: 1-1/2", 2"

CASE: Gray, ABS

WINDOW: Polycarbonate

POINTER: Aluminum, black finish

DIAL: Aluminum, white background with black markings

MOVEMENT: Brass

BOURDON TUBE: Beryllium copper 15 psi, phosphor bronze above 15 psi, soft soldered

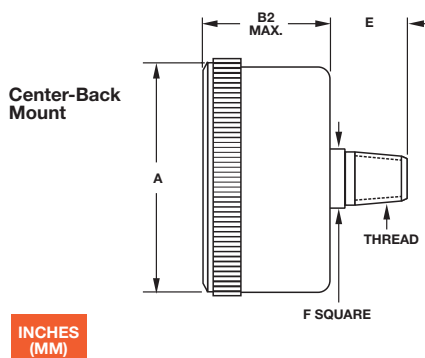
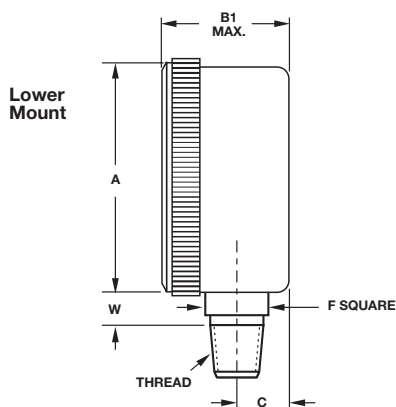
#### CONNECTION

1-1/2" or 2" 1/8-27 NPT, or 2" 1/4-18 NPT, brass

#### RANGES:

1-1/2" P-590K with 1/8-27 NPT, LM or CBM-15 through 160 psi  
2" P-590K with 1/4-18 NPT, LM or CBM-30 through 300 psi

ACCURACY: ±3-2-3% of span (Grade B)



MODEL NUMBER	DIAL SIZE	UNIT	A	B1*	B2*	C	E	F	W
P-590K	1-1/2"	inches	1.78	.95	.95	.36	.60	.44	.17
		mm	44.45	26.42	27.18	10.92	13.72	11.18	4.57
P-590K	2"	inches	2.27	1.19	1.18	.41	.74	.55	.25
		mm	55.63	28.45	28.45	12.45	18.03	14.22	6.60

\* B1: LM (lower mount); B2: CBM (center-back mount)

© 2006, by AMETEK, Inc. All rights reserved. PDF606 (160126) Specifications are subject to change without notice. Visit our Web sites for the most up-to-date information.



For Gauges/Thermometers:

**U.S. GAUGE**  
820 Pennsylvania Blvd.  
Feasterville, PA 19053 U.S.A.  
Tel: (215) 355-6900  
Fax: (215) 354-1802  
www.ametekusg.com

Customer Service Tel: (863) 534-1504  
Customer Service Fax: (863) 533-7465

For Electronic Products:

**PMT PRODUCTS**  
820 Pennsylvania Blvd.  
Feasterville, PA 19053 U.S.A.  
Tel: (215) 355-6900  
Fax: (215) 354-1800  
www.ametekusg.com

For Diaphragm Seals:

**M&G PRODUCTS**  
8600 Somerset Drive  
Largo, FL 33773 U.S.A.  
Tel: (727) 536-7831  
Fax: (727) 539-6882  
www.ametek.com/tci





## General Purpose Gauges

# Model P-590K ABS Case Gauges

### SPEC NUMBER SELECTION CHART

#### Model P-590K

Connection	Range*	1-1/2" Spec No.	2" Spec No.	Connection	Range	2" Spec No.
1/8-27 LM	15 psi	146989A	-	1/4-18 LM	15 psi	-
	30 psi	146990A	-		30 psi	160652A
	60 psi	146991A	-		60 psi	160653A
	100 psi	146992A	-		100 psi	160654A
	160 psi	146993A	-		160 psi	160655A
	200 psi	-	-		200 psi	160656A
300 psi	-	-	300 psi	160657A		
1/8-27 CBM	15 psi	146994A	-	1/4-18 CBM	15 psi	-
	30 psi	146995A	160650A		30 psi	160658A
	60 psi	146996A	-		60 psi	160659A
	100 psi	146997A	-		100 psi	160660A
	160 psi	146998A	160651A		160 psi	160661A
	200 psi	-	-		200 psi	160662A
300 psi	-	-	300 psi	160663A		

\* Dual scale dials are available, please contact Customer Service at (863) 534-1504

© 2006, by AMETEK, Inc. All rights reserved. PDF606 (160126) Specifications are subject to change without notice. Visit our Web sites for the most up-to-date information.



*For Gauges/Thermometers:*  
**U.S. GAUGE**  
 820 Pennsylvania Blvd.  
 Feasterville, PA 19053 U.S.A.  
 Tel: (215) 355-6900  
 Fax: (215) 354-1802  
 www.ametekusg.com

Customer Service Tel: (863) 534-1504  
 Customer Service Fax: (863) 533-7465

*For Electronic Products:*  
**PMT PRODUCTS**  
 820 Pennsylvania Blvd.  
 Feasterville, PA 19053 U.S.A.  
 Tel: (215) 355-6900  
 Fax: (215) 354-1800  
 www.ametekusg.com

*For Diaphragm Seals:*  
**M&G PRODUCTS**  
 8600 Somerset Drive  
 Largo, FL 33773 U.S.A.  
 Tel: (727) 536-7831  
 Fax: (727) 539-6882  
 www.ametek.com/tci

