

REV. Status

REVISION -  
01/09/92 HA

REVISION A  
TEMECULA  
WAS CARSON  
REVISED NP  
ADDED T2104  
MICROTRAN  
10/05/95 TS

REVISION B  
NEW  
FORMAT  
07/08/98 TS

FCC68 TELECOMMUNICATIONS COUPLING TRANSFORMER 600:600

A. Electrical Specifications (@ 25° C)

1. Pri Source Impedance; 600Ω
2. Sec Load Impedance; 600Ω
3. Operating Level; -45dBm to +7dBm
4. Insertion Loss; 1.2dB MAX @ 1KHz, 0dBm
5. Frequency Response; ±0.5dB 300Hz to 3.5KHz @ 0dBm
6. Primary Impedance; 600Ω ±10% @ 300Hz to 3.5KHz, 0dBm
7. Total Harmonic Distortion: 0.5% MAX @ 300Hz to 3.5KHz, 0dBm
8. Longitudinal Balance; 60dB MIN @ 200Hz to 4KHz
9. DC Resistance; (1-3)= 36Ω ±20% (4-6)= 50Ω ±20%
10. Turns Ratio; (1-3) : (4-6) = 1 : 1.033 ±2%
11. Dielectric Strength; 1500Vrms 1 minute @ Pri to Sec, Pri to Core 1000Vrms 1 minute @ Sec to Core



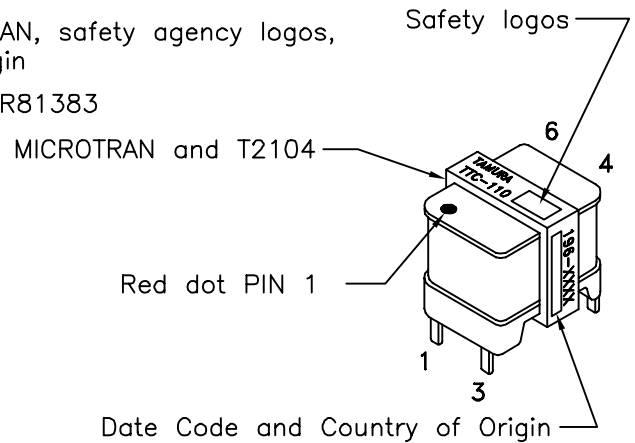
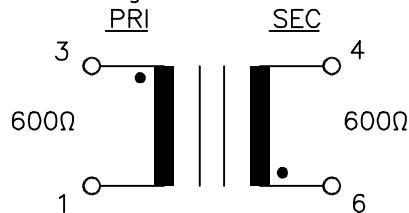
UL# E142035

MODEL NUMBER  
**TTC-110**

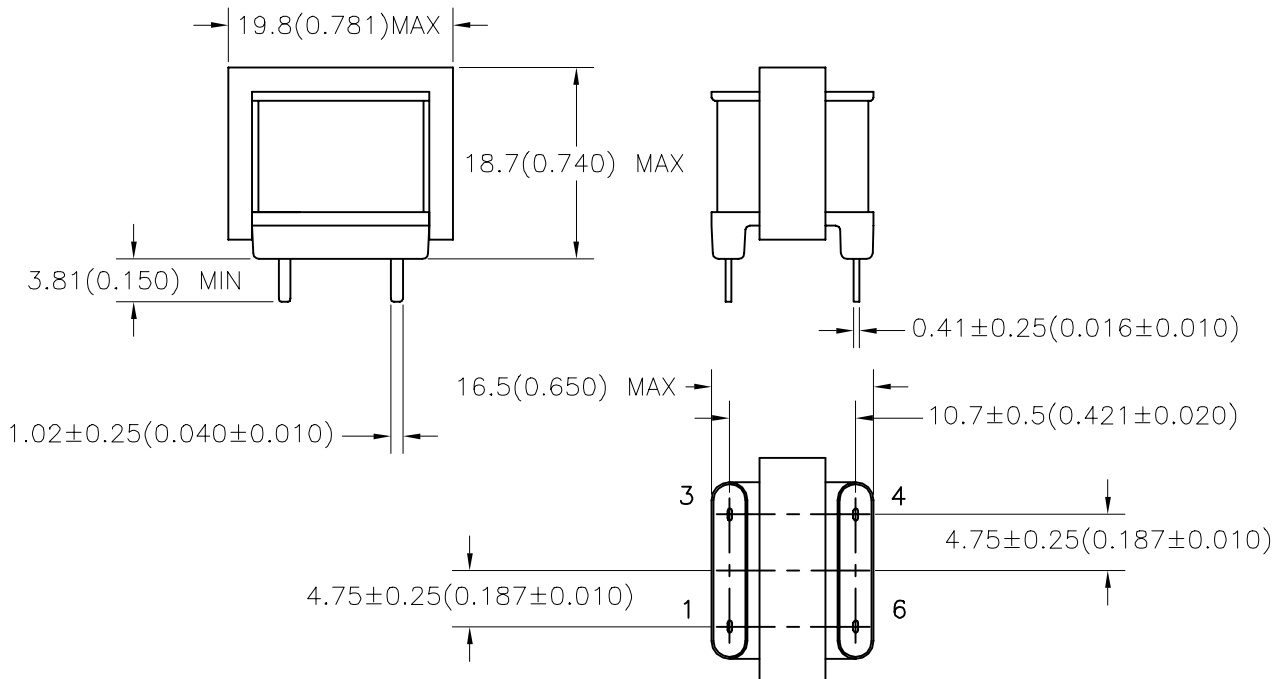
B. Marking; TTC-110, TAMURA, T2104, MICROTRAN, safety agency logos, 196-date code and country of origin

C. Safety; CSA-22.2 No. 66-M1988 File No. LR81383  
UL 1863 File No. E142035

D. Schematic Diagram



E. Mechanical Specifications



PREPARED BY:

J. Peterson

ENGINEER:

T. Shizawa

QUALITY CONTROL:

D. Kelley  
APPROVED:

DWG CONTROL NO.  
P-A1-10525  
ACAD\TTC\A1105251.DWG

REV  
**B**

TELECOMMUNICATIONS COUPLING  
TRANSFORMER

**TAMURA CORPORATION OF AMERICA**  
43352 BUSINESS PARK DRIVE, TEMECULA, CA. 92590-6624  
(909) 699-1270 FAX 9096769482

**TTC-110**

MODEL SPECIFICATION

DIM:mm(In) SCL: NONE SH: 1 OF 1

PROPRIETARY NOTICE: THIS DRAWING PRINT OR DOCUMENT AND SUBJECT MATTER DISCLOSED HEREIN ARE PROPRIETARY ITEMS TO WHICH TAMURA RETAINS THE EXCLUSIVE RIGHT OF DISSEMINATION, REPRODUCTION, MANUFACTURE AND SALE. THIS DRAWING, PRINT OR DOCUMENT IS SUBMITTED IN CONFIDENCE FOR CONSIDERATION BY THE RECIPIENT ALONE UNLESS PERMISSION FOR FURTHER DISCLOSURE IS EXPRESSLY GRANTED IN WRITING.