

DATA SHEET

3448-G

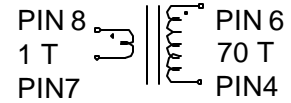
SURFACE MOUNT CURRENT SENSE 70:1

FEATURES:

- * LOW PROFILE
- * SURFACE MOUNT
- * LOW COST
- * TAPE & REEL
1000 PCS/REEL
- * UL CLASS H 180°C
- * 63/37 SOLDER PLATED LEADS
(REFLOWED AFTER ASSEMBLY)
- * LEADS COPLANAR
WITHIN 0.127 mm (0.005")

CORE PARAMETERS:

(TYPICAL)
 $A_e = 0.027 \text{ cm}^2$
 $L_e = 1.26 \text{ cm}$
 $V_e = 33.6 \text{ mm}$
 $A_l = 250 \text{ nH/N}^2 \pm 30 \%$

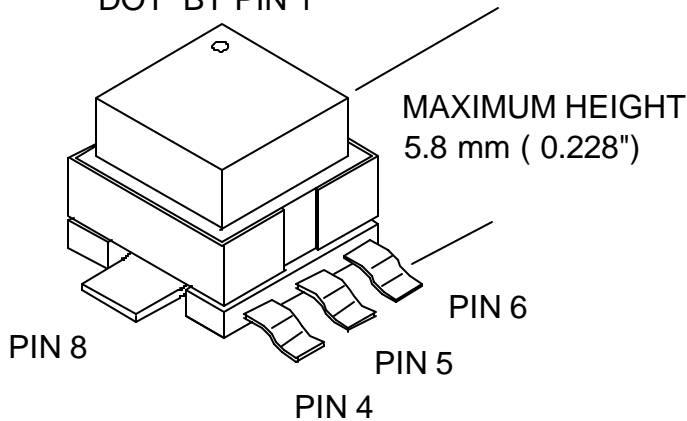


SCHEMATIC

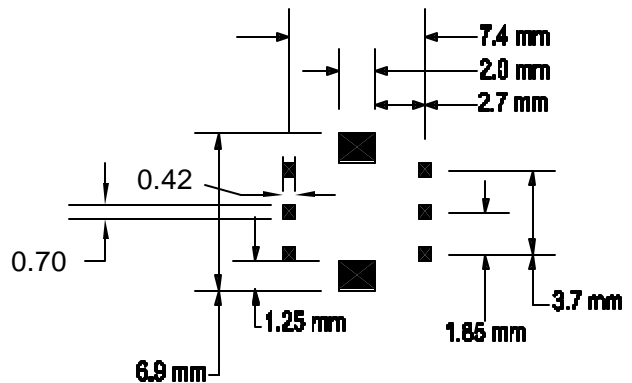
ELECTRICAL PARAMETERS:

HIPOT 500 VDC
 PRIMARY CURRENT 6 AMP MAX.
 TEMPERATURE RANGE -40°C TO 180°C

DOT BY PIN 1



NOMINAL FOOTPRINT
 CIRCUIT CARD PADS
 SHOULD BE LARGER



MODEL NAME: 70:1 CURRENT SENSE

SPECIFICATION: SURFACE MOUNT

PACKAGING: SEE ABOVE

MATERIAL: PHENOLIC BOBBIN

PAGE: 1 of 1 UNITS: mm

TOLERANCE: N/A

U.L. REC.: CLASS H 180°

SIGNATURE: REB

REVISION DATE: 1/14/04

GB INTERNATIONAL

1408 AIRPORT ROAD
 ENDICOTT N.Y. 13760

PHONE:(607)785-0938
 FAX : (607)785-1109
 E-MAIL : GBI@gbint.com

Auto cad drawings/Datasheet/3448-g.dwg

