

DCT and DHV Series Transformers


Ledex® and Dormeyer® Products




saia-burgess

Smart solutions for comfort and safety

DCT Certifications

 E32963 Listed Class 2 Transformers

 LR16074 Certified

Class B Insulation System (130°C Max. Temp.)

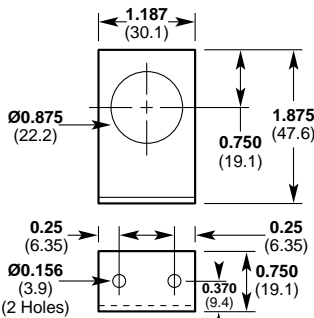
Note 1:

Standard Lead Lengths:
Primary - 11.75" (Blk./Wht.),
Secondary - Screw Terminals

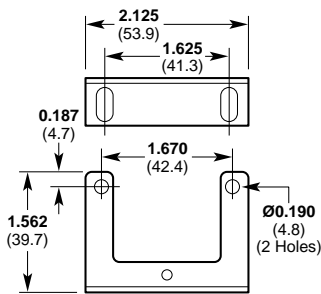
Note 2:

Any VA rating between 5VA and 55VA may be specified along with output voltage ratings of between 1 and 24 volts. Secondary taps are also available.

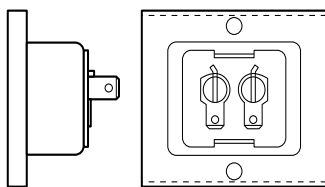
DCT Standard Options



Mounting Foot BR-138



Mounting Feet BR-233



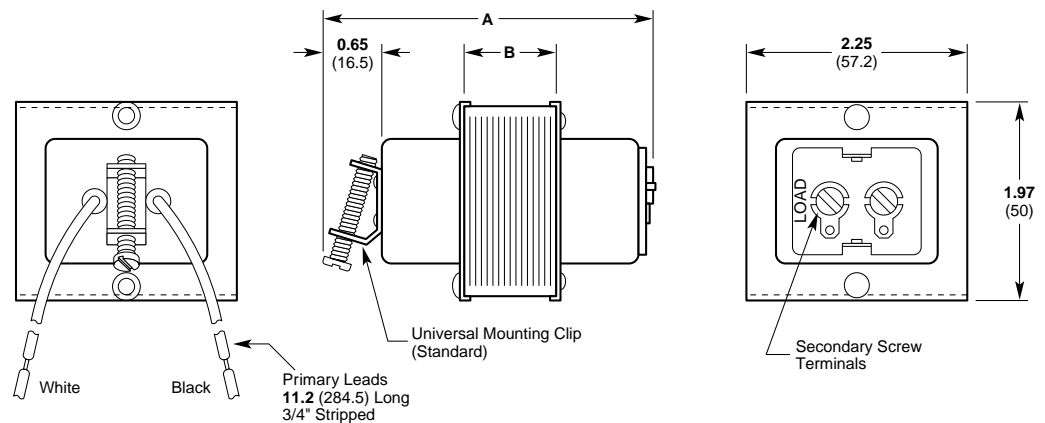
Male-quick-connect terminals, secured under secondary screw terminals

- Lead wires on secondary
- Lead wire colors and lengths
- Quick-connect terminals on lead wires

DCT Specifications

Part No.	VA	Input Volts	Hz	Output Volts	Dimensions	
					A	B
DCT- 5-120	5	120	50/60	10	2.60	0.31
DCT-10-120	10	120	50/60	16	2.60	0.31
DCT-12-120	12	120	50/60	24	2.65	0.36
DCT-12-208	12	208	50/60	24	2.65	0.36
DCT-12-240	12	240	50/60	24	2.65	0.36
DCT-12-277	12	277	50/60	24	2.65	0.36
DCT-12-284	12	240 w/208 Tap	50/60	24	2.65	0.36
DCT-12-380	12	380	50/60	24	2.65	0.36
DCT-12-480	12	480	50/60	24	2.65	0.36
DCT-20-120	20	120	50/60	24	2.90	0.61
DCT-20-208	20	208	50/60	24	2.90	0.61
DCT-20-240	20	240	50/60	24	2.90	0.61
DCT-20-277	20	277	50/60	24	2.90	0.61
DCT-20-284	20	240 w/208 Tap	50/60	24	2.90	0.61
DCT-20-380	20	380	50/60	24	2.90	0.61
DCT-20-480	20	480	50/60	24	2.90	0.61
DCT-40-120	40	120	50/60	24	3.30	1.01
DCT-40-208	40	208	50/60	24	3.30	1.01
DCT-40-240	40	240	50/60	24	3.30	1.01
DCT-40-277	40	277	50/60	24	3.30	1.01
DCT-40-284	40	240 w/208 Tap	50/60	24	3.30	1.01
DCT-40-380	40	380	50/60	24	3.30	1.01
DCT-40-480	40	480	50/60	24	3.30	1.01
DCT-55-120	55	120	50/60	24	3.83	1.64
DCT-55-208	55	208	50/60	24	3.83	1.64
DCT-55-240	55	240	50/60	24	3.83	1.64
DCT-55-277	55	277	50/60	24	3.83	1.64
DCT-55-284	55	240 w/208 Tap	50/60	24	3.83	1.64
DCT-55-380	55	380	50/60	24	3.83	1.64
DCT-55-480	55	480	50/60	24	3.83	1.64

DCT Dimensions



White
Black
Primary Leads
11.2 (284.5) Long
3/4" Stripped

Universal Mounting Clip (Standard)

Secondary Screw Terminals