

# Printed Circuit Mount Power Transformers



## Miniature Low Power Transformers



Signal's PC low power transformers are designed to operate between 50 Hz and 500 Hz without any degradation in output voltage.

### General Specifications

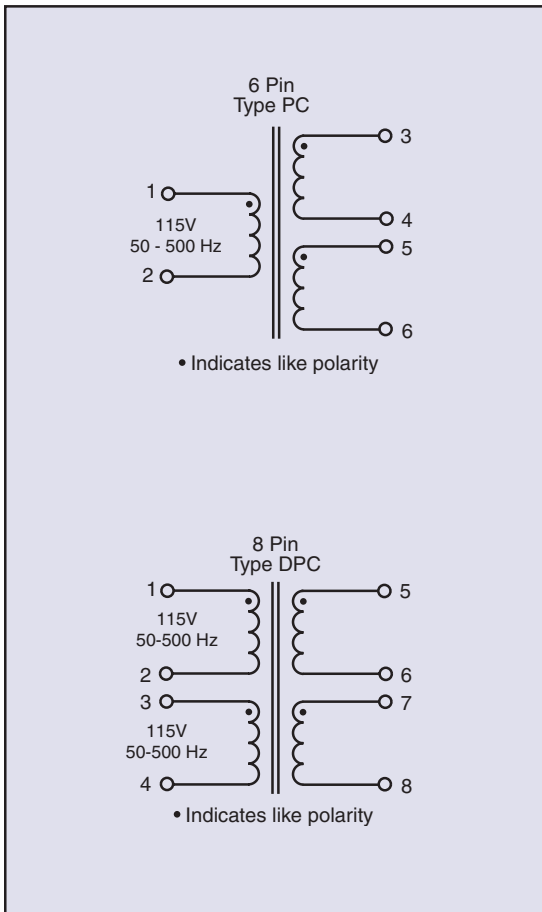
- Power - 1.0 VA to 24 VA
- Dielectric Strength - 1500 Vrms Hipot
- Primaries - Single or dual primaries, 115 V or 115/230 V, 50-500 Hz
- Dual Secondaries - Series or parallel
- Insulation System - Class B, 130° C, UL 1446 E66312
- Mounting Brackets - see chart

### Agency Certifications

- UL recognized to UL 506 / UL 5085-2, File # E63829
- CSA certified to C22.2 #66.1, File # 221070



Primary 50/500 Hz		VA	Secondary RMS Rating	
Single 115V 6 Pin	Dual 115/230V 8 Pin	Size	Series	Parallel
PC-10-90	DPC-10-90	1.0	10VCT @ 90mA	5V @ 180mA
PC-10-120	DPC-10-120	1.2	10VCT @ 120mA	5V @ 240mA
PC-10-440	DPC-10-440	4.4	10VCT @ 440mA	5V @ 880mA
PC-10-1000	DPC-10-1000	10.0	10VCT @ 1.0A	5V @ 2.0A
PC-10-2400	DPC-10-2400	24.0	10VCT @ 2.4A	5V @ 4.8A
PC-12-70	DPC-12-70	1.0	12.6VCT @ 70mA	6.3V @ 140mA
PC-12-100	DPC-12-100	1.2	12.6VCT @ 100mA	6.3V @ 200mA
PC-12-350	DPC-12-350	4.4	12.6VCT @ 350mA	6.3V @ 700mA
PC-12-800	DPC-12-800	10.0	12.6VCT @ 800mA	6.3V @ 1.6A
PC-12-2000	DPC-12-2000	24.0	12.6VCT @ 2.0A	6.3V @ 4.0A
PC-16-55	DPC-16-55	1.0	16VCT @ 55mA	8V @ 110mA
PC-16-75	DPC-16-75	1.2	16VCT @ 75mA	8V @ 150mA
PC-16-260	DPC-16-260	4.4	16VCT @ 260mA	8V @ 520mA
PC-16-640	DPC-16-640	10.0	16VCT @ 640mA	8V @ 1.28A
PC-16-1500	DPC-16-1500	24.0	16VCT @ 1.50A	8V @ 3.0A
PC-20-45	DPC-20-45	1.0	20VCT @ 45mA	10V @ 90mA
PC-20-60	DPC-20-60	1.2	20VCT @ 60mA	10V @ 120mA
PC-20-220	DPC-20-220	4.4	20VCT @ 220mA	10V @ 440mA
PC-20-500	DPC-20-500	10.0	20VCT @ 500mA	10V @ 1.0A
PC-20-1200	DPC-20-1200	24.0	20VCT @ 1.20A	10V @ 2.40A
PC-24-35	DPC-24-35	1.0	24VCT @ 35mA	12V @ 70mA
PC-24-50	DPC-24-50	1.2	24VCT @ 50mA	12V @ 100mA
PC-24-180	DPC-24-180	4.4	24VCT @ 180mA	12V @ 360mA
PC-24-450	DPC-24-450	10.0	24VCT @ 450mA	12V @ 900mA
PC-24-1000	DPC-24-1000	24.0	24VCT @ 1.0A	12V @ 2.0A
PC-28-30	DPC-28-30	1.0	28VCT @ 30mA	14V @ 60mA
PC-28-40	DPC-28-40	1.2	28VCT @ 40mA	14V @ 80mA
PC-28-160	DPC-28-160	4.4	28VCT @ 160mA	14V @ 320mA
PC-28-360	DPC-28-360	10.0	28VCT @ 360mA	14V @ 720mA
PC-28-800	DPC-28-800	24.0	28VCT @ 800mA	14V @ 1.60A
PC-34-25	DPC-34-25	1.0	34VCT @ 25mA	17V @ 50mA
PC-34-35	DPC-34-35	1.2	34VCT @ 35mA	17V @ 70mA
PC-34-125	DPC-34-125	4.4	34VCT @ 125mA	17V @ 250mA
PC-34-300	DPC-34-300	10.0	34VCT @ 300mA	17V @ 600mA
PC-34-700	DPC-34-700	24.0	34VCT @ 700mA	17V @ 1.40A
PC-40-20	DPC-40-20	1.0	40VCT @ 20mA	20V @ 40mA
PC-40-30	DPC-40-30	1.2	40VCT @ 30mA	20V @ 60mA
PC-40-110	DPC-40-110	4.4	40VCT @ 110mA	20V @ 220mA
PC-40-250	DPC-40-250	10.0	40VCT @ 250mA	20V @ 500mA
PC-40-600	DPC-40-600	24.0	40VCT @ 600mA	20V @ 1.20A
PC-56-15	DPC-56-15	1.0	56VCT @ 15mA	28V @ 30mA
PC-56-20	DPC-56-20	1.2	56VCT @ 20mA	28V @ 40mA
PC-56-80	DPC-56-80	4.4	56VCT @ 80mA	28V @ 160mA
PC-56-180	DPC-56-180	10.0	56VCT @ 180mA	28V @ 360mA
PC-56-420	DPC-56-420	24.0	56VCT @ 420mA	28V @ 840mA
PC-120-8	DPC-120-8	1.0	120VCT @ 8mA	60V @ 16mA
PC-120-10	DPC-120-10	1.2	120VCT @ 10mA	60V @ 20mA
PC-120-35	DPC-120-35	4.4	120VCT @ 35mA	60V @ 70mA
PC-120-85	DPC-120-85	10.0	120VCT @ 85mA	60V @ 170mA
PC-120-200	DPC-120-200	24.0	120VCT @ 200mA	60V @ 400mA

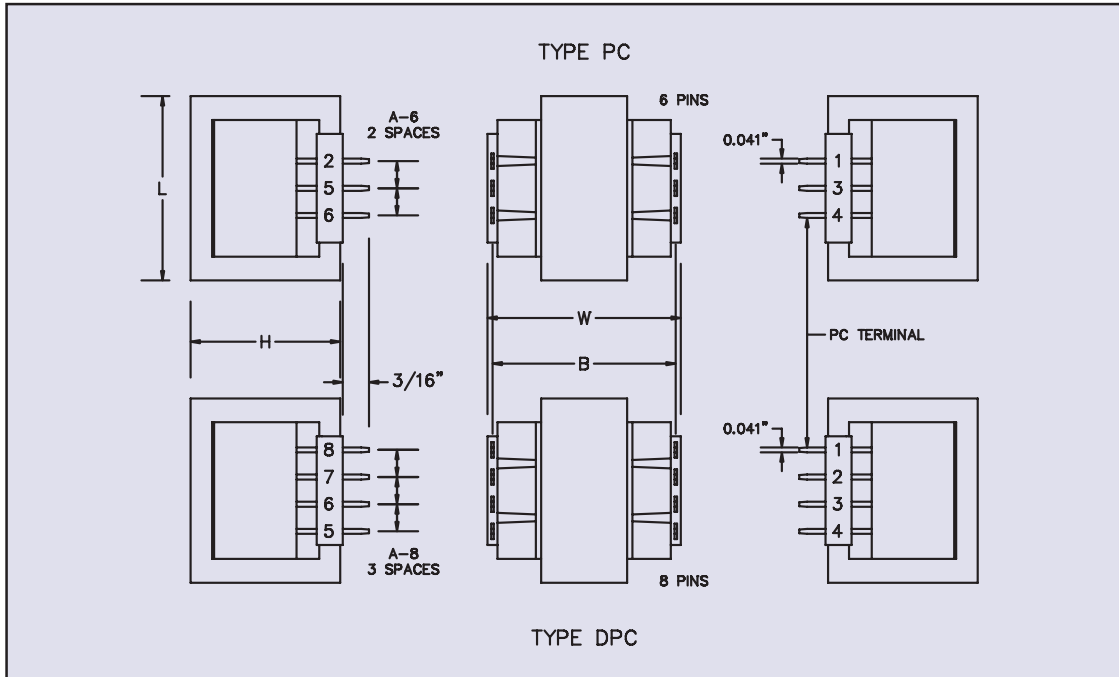


Custom versions available upon request.

©2008 Signal Transformer — Specification subject to change without notice. 07.08

# Printed Circuit Mount Power Transformers

## Miniature Low Power Transformers



VA	L	W	H	A-6	A-8	B	Weight	Optional Bracket*			
				6 Pin	8 Pin			Number	MW	MD	
Size	Inches (mm)							oz (kg)	Inches (mm)		
1.0	1.00 (25.4)	1.37 (34.92)	0.83 (21.08)	0.25 (6.35)	0.20 (5.08)	1.23 (31.2)	2.5 (0.07)	-	-	-	
1.2	1.37 (34.9)	1.12 (28.6)	1.18 (30.15)	0.31 (7.92)	0.20 (5.08)	1.03 (26.2)	3 (0.08)	-	-	-	
4.4	1.62 (41.3)	1.25 (31.8)	1.37 (34.92)	0.40 (10.16)	0.25 (6.35)	1.13 (28.7)	5 (0.14)	-	-	-	
10.0	1.87 (47.6)	1.43 (36.5)	1.62 (41.27)	0.40 (10.16)	0.25 (6.35)	1.33 (33.7)	9 (0.23)	10-BR	1.64 (41.7)	1.12 (28.6)	
24.0	1.62 (41.3)	2.25 (57.2)	1.37 (34.93)	0.40 (10.16)	0.25 (6.35)	2.13 (54.1)	12 (0.34)	24-BR	1.37 (34.9)	2.00 (50.8)	

\*An optional slide on mounting bracket is available for sizes 10 & 24. These brackets do not consume any additional board space but add 1/32" to the transformer's height.

See Accessories page for mounting brackets.

Custom versions available upon request.

©2008 Signal Transformer — Specification subject to change without notice. 07.08