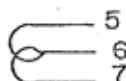
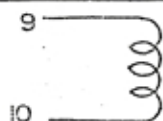
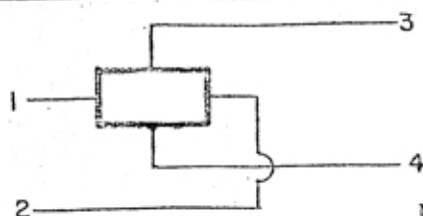




# HALLTRON MAGNETIC CIRCUITS



Compensation Winding 2T, C.T.



MC 107/11

## SPECIFICATIONS

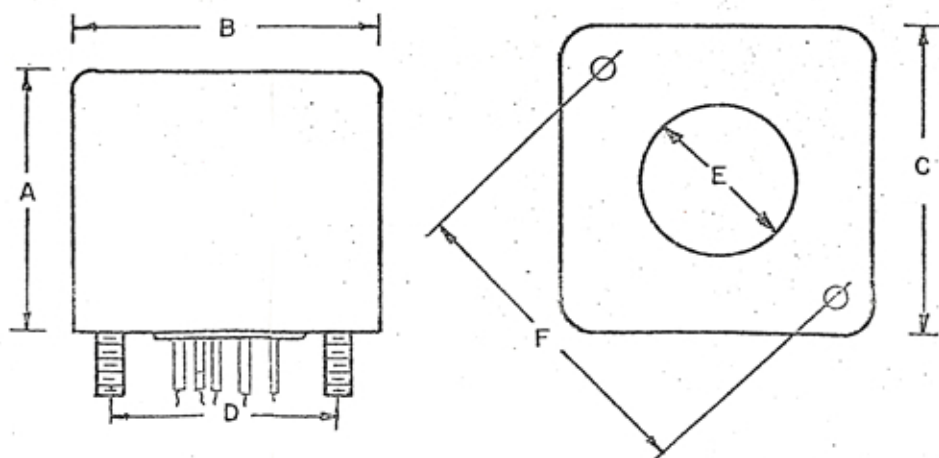
$V_h$ , HALL OUTPUT (at rated inputs) . . . . .	100mV $\pm$ 25%
$I_c$ , CONTROL CURRENT (terminals 1 and 2) . . . . .	100mA Nominal
RESISTANCE OF HALLTRON: Input (terminals 1 and 2) . . . . .	1.5 ohms $\pm$ 0.5 ohms
Output (terminals 3 and 4) . . . . .	1.5 ohms $\pm$ 0.5 ohms
TEMPERATURE RANGE . . . . .	-25 to +75°C
TEMPERATURE COEFFICIENT OF $V_h$ . . . . .	-0.1% per C
TEST VOLTAGE, d.c.: COIL TO CASE . . . . .	1350 volts
COIL TO HALLTRON . . . . .	1350 volts
LOAD RESISTANCE FOR OPTIMUM LINEARITY . . . . .	20 ohms typical
$I_m$ , COIL CURRENT . . . . .	10 Amp (peak)
COIL INDUCTANCE . . . . .	25 $\mu$ h
RESISTANCE OF COILS . . . . .	.02 ohms $\pm$ 25%

- A = 1 3/8      D = 1 5/16
- B = 1 3/4      E = 7/8
- C = 1 3/4      F = 1 7/8

Leads are 12 inches long.

## Lead Color Code

- 1. Red/White
- 2. Black/White
- 3. Blue/White
- 4. Yellow/White
- 5. Yellow
- 6. Brown
- 7. Yellow
- 8. Red
- 10. Black



# OHIO SEMITRONICS, INC.

1205 CHESAPEAKE AVENUE, COLUMBUS, OHIO 43212

PHONE 614/486-9561