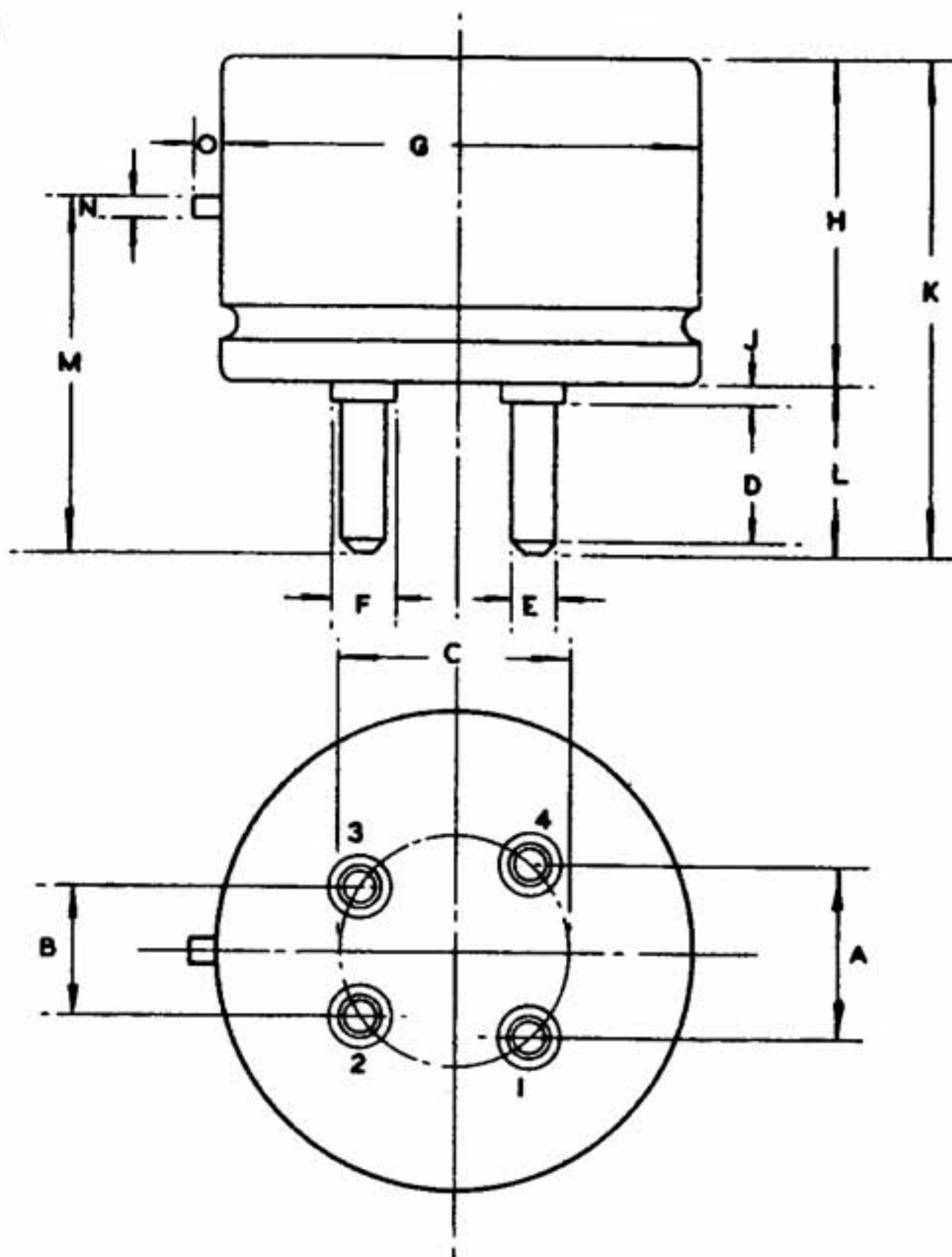


THIRD ANGLE PROJECTION



THE MILLIMETRE DIMENSIONS ARE DERIVED FROM THE ORIGINAL INCH DIMENSIONS

REF	DIMENSIONS							NOTES
	INCHES			DEGREES	MILLIMETRES			
	MIN	NOM	MAX	NOM	MIN	NOM	MAX	
A	—	.750	—	—	—	19.05	—	2
B	—	.562	—	—	—	14.274	—	2
C	—	1.000	—	—	—	25.40	—	2
D	0.575	—	—	—	14.61	—	—	
E	0.184	0.187	0.190	—	4.68	4.75	4.82	
F	—	—	0.260	—	—	—	6.60	
G	2.177	2.198	2.219	—	55.30	55.83	56.35	
H	—	1.438	—	—	—	36.53	—	
J	—	—	0.073	—	—	—	1.85	
K	—	2.125	—	—	—	53.98	—	1
L	—	—	0.718	—	—	—	18.23	1
M	1.528	1.546	1.566	—	38.8	39.25	39.75	1
N	—	—	0.082	—	—	—	2.08	
O	0.079	0.094	0.109	—	2.05	2.4	2.75	

## NOTES

1. THE DIMENSIONS K, L, AND M MAY BE INCREASED BY 0.060 IN. (1.52 m.m.) MAX FOR SOLDER.
2. THE DIMENSION FIXING THE POSITIONS OF PINS REFER TO THE FIXED ENDS OF THE PINS, AND ARE GIVEN FOR INFORMATION ONLY. THE PIN DISPOSITION SHOULD BE CHECKED BY MEANS OF THE GAUGE SHOWN ON DRG No. 22 A
3. THE DRAWING SHOWS THE NUMBERING OF THE PINS AS SEEN FROM THEIR FREE ENDS.
4. THIS BASE IS THE AMERICAN SUPER JUMBO, JETEC TYPE A4-18.