



TECHNICAL DATA

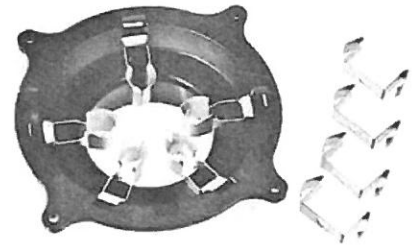
SK-510
AIR-SYSTEM
SOCKET

The EIMAC SK-510 is an Air-System Socket recommended for use with the tube types listed below, or other types having the same special five-pin base. Two different glass Air-Chimneys are available from EIMAC for use with the SK-510, depending on the tube type used.

The SK-510 is especially recommended for pressurized-chassis installations. Cooling air then cools the base, envelope, and plate-seal areas of the tube, when directed by the proper Air-Chimney.

Contact terminals are provided for all five of the tube base connections, with the anode connection made separately at the top of the tube.

The SK-510 and its contact assemblies are humidity and salt-spray resistant.



BASE CONNECTIONS, MATERIALS, AND FINISHES

The socket shell or body is of a molded plastic with excellent insulation characteristics to match the tube types for which this unit was designed. The base contact terminals are made of beryllium-copper and are silver plated. A set of four clips are provided, for locating and holding the recommended Air-Chimney concentric with the tube. These clips are double-ended so they will ground the metal base shell of some tube types which require this. The clips are also made of beryllium copper but are cadmium plated.

NET WEIGHT (Approximate) 6.5 oz; 184 gms

INSTALLATION

The SK-510 Air-System Socket can be mounted on a chassis deck, partition, or pressurized compartment. Mounting is accomplished by cutting a 3-3/4 inch hole in the mounting surface, placing the socket below the hole, and fastening it into place with four 6-32 machine screws (not supplied) through the four mounting holes in the "ears" of the socket body.

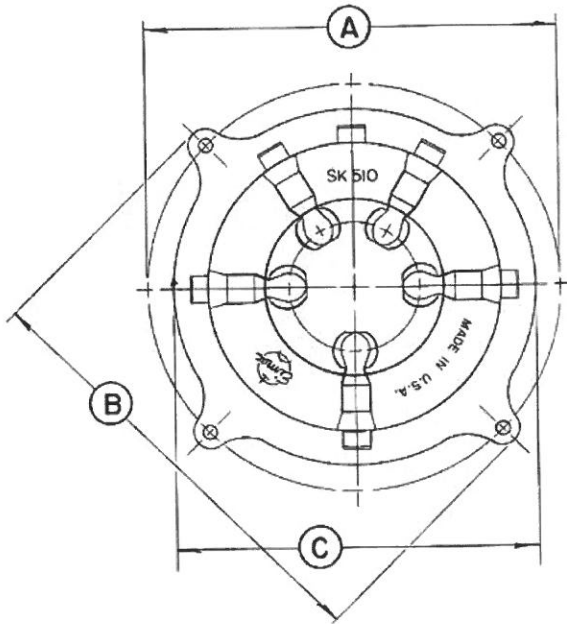
The socket also has a 2-3/8 inch O.D. round neck extending 3/4 inch below the main socket body which provides a means for connecting a standard air duct to the base.

The following listing shows the EIMAC tube types which may be used with the SK-510 and the recommended Air-Chimney.

<u>TUBE TYPE</u>	<u>AIR CHIMNEY</u>
3-1000Z (8164)	SK-516
4-1000A (8166)	SK-506
4PR1000A (8189)	SK-506
4PR1000B (8189W)	SK-506
TYPE 279	SK-506
TYPE 284	SK-506
TYPE 8960	SK-506

(Revised 3-15-75) © 1963, 1966, 1975 by Varian

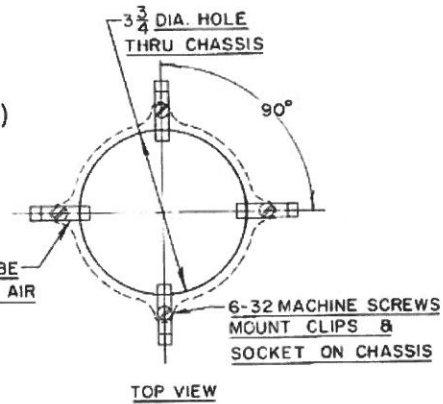
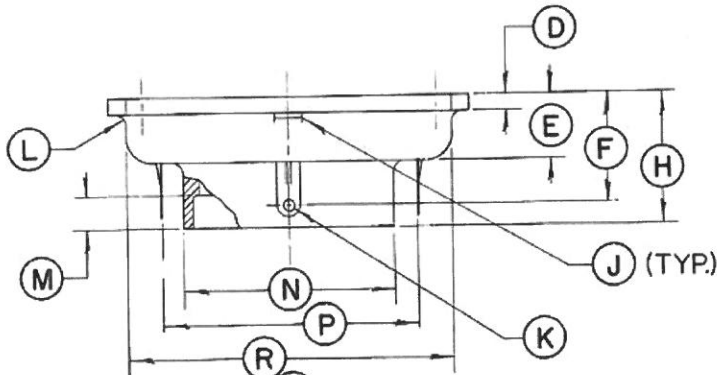
Printed in U.S.A.



DIM	INCHES			MILLIMETERS		
	MIN.	MAX.	REF.	MIN.	MAX.	REF.
A	4.593*	4.656*	- -	116.7	118.3	- -
B	4.968	5.031	- -	126.2	127.8	- -
C	4.031*	4.093*	- -	102.4	104.0	- -
D	0.156	0.218	- -	3.96	5.54	- -
E	0.718	0.781	- -	18.24	19.83	- -
F	- -	- -	1.250	- -	- -	31.75
H	1.468	1.531	- -	37.29	38.89	- -
J**			- -			- -
K	0.093*	0.156*	- -	2.36 *	3.96 *	- -
L	0.093R	0.156R	- -	2.36R	3.96R	- -
M	0.343	0.406	- -	8.71	10.31	- -
N	2.343*	2.406*	- -	59.51*	61.11 *	- -
P	- -	- -	2.890	- -	- -	73.41
R	3.593*	3.656*	- -	91.26*	92.86*	- -
S	2.140*	2.203*	- -	54.36*	55.96*	- -
T	- -	- -	0.187R	- -	- -	4.75R
U	- -	- -	0.500R	- -	- -	12.70R
V	0.139*	0.152*	- -	3.53 *	3.86 *	- -

* DIAMETER

** 0.031 x 0.281, 0.093 x 0.343 (IN.)
0.79 x 7.14, 2.36 x 8.71 (MIL.)



CLIPS GROUND TUBE
BASE & OR HOLD AIR
FLOW CHIMNEY
SEE NOTE 3

TOP VIEW

SEE NOTE 1

SEE NOTE 2

NOTES:

1. SOCKET SHELL-MAT'L: DIALLYL PHTHALATE.
2. TUBE PIN CONTACT CLIPS-MAT'L:
BERYLLIUM COPPER. HEAT TREATED.
FINISH: SILVER PLATED.
3. CHIMNEY CLIPS-MAT'L: BERYLLIUM
COPPER, HEAT TREATED.
FINISH: CADMIUM PLATED.
PART NO.: 115844N PER EIMAC
DWG 115842.



EITEL-McCULLOUGH, INC.
301 INDUSTRIAL WAY
SAN CARLOS • CALIFORNIA

ACCESSORY PRODUCT WARRANTY

BREAKAGE

Please examine the item as soon as received. Prior to shipment from the factory each item is subjected to thorough electrical and mechanical tests and visual inspection. If an item arrives in a damaged or inoperable condition, immediately secure a carrier inspection report for your own protection when you file a claim for recovery from the carrier.

WARRANTY

Eitel-McCullough, Inc., warrants each accessory product to be free from defects in workmanship and material for a period of one year from date of sale. The entire obligation of Eitel-McCullough, Inc., under this warranty is to replace defective products or, at its option, to credit the purchaser. If a product to be returned has become obsolete within one year after sale, Eimac reserves the right either to credit the customer's account or repair and replace the item. This warranty applies only to such products which are operated within the maximum ratings specified in the Eimac data sheet for the type of service employed. In no event will Eitel-McCullough, Inc. be liable for consequential or resulting loss or damage, whether or not due to causes covered by this warranty.

RETURN PROCEDURE

1. DO NOT RETURN GOODS TO AN EIMAC SALES OFFICE OR SALES REPRESENTATIVE.
2. If the item was obtained from a Distributor or an Equipment Manufacturer, it should be returned to them and not Eitel-McCullough, Inc. Be sure to enclose a complete Service Report when applicable. This is important.
3. If the item was purchased directly from the factory, the following applies:
 - a. Authorization for return is required if more than 10 items are involved, or if the value of the shipment exceeds \$500.00. Customers outside the United States must request authorization before any return is made.
 - b. If an accessory product is to be returned, complete the form on the back of this sheet giving all the requested data. Adjustment will be considered only if this completed report accompanies the item.
 - c. Repack the item carefully in the same way it was packaged originally for shipment, preferably using the same materials. The sender and the shipping agency must assume responsibility for damage from improper packing or handling. Insurance charges for returned goods must be borne by the sender.
 - d. Ship via **PREPAID** deferred Air Freight or Railway Express to Eitel-McCullough, Inc., 301 Industrial Way, San Carlos, California. Customers outside the United States should return accessory products by Air Express. Ocean shipments are acceptable provided the items are adequately export packed for this mode of transportation.
4. Customer retains title to material returned for evaluation until Eimac acknowledges adjustment responsibility in writing.
5. If Eitel-McCullough, Inc. finds that a replacement or credit allowance is in order, the customer will be notified. In the case of a replacement, a new item will be shipped prepaid and credit allowance will be made for shipping charges incurred by the customer in returning the item provided Eimac approved transportation methods are used.
7. It is often necessary to dismantle an item to determine the cause of failure. In returning the item the customer grants permission to dismantle it at the discretion of Eitel-McCullough, Inc.
8. Unserviceable items will be destroyed 30 days after notice of evaluation is sent to the customer. If the customer desires return of an unserviceable item, he should notify Eitel-McCullough, Inc. within that time and it will be returned at his expense. Any item for which credit is given or replacement is made under warranty becomes the property of Eitel-McCullough, Inc. and will not be returned.

BE SURE TO FILL IN THE REVERSE SIDE OF THIS PAGE COMPLETELY



EITEL-McCULLOUGH, INC.
301 INDUSTRIAL WAY
SAN CARLOS • CALIFORNIA

Nameplate or Catalogue Nomenclature.....

Serial #When Purchased.....

From whom Purchased.....

Type of Service: Broadcast , Communications , Radar , Industry , Other.....

Equipment in which item was used.....
(Manufacturer's Name and Type Number)

OPERATING CONDITIONS:

SOCKETS and CAVITIES

Used with what Tube?.....Filament Voltage.....

Screen Voltage.....How Obtained?.....

Environmental Conditions:

Cooling..... Shock..... Vibration.....

WATER LOADS

RF Power into load: Peak..... Average.....

Water Pressure: Static..... Surge.....

Operating Frequency.....

FOCUSING COILS

Voltage..... Amperage..... Hours of Use.....

Maximum Temperature Cooling Medium: Air..... Water.....

OTHER ACCESSORY PRODUCTS

.....
.....

Reason for Return.....

Name of Company or Person owning item (Please Print)

Address..... Date.....

SERVICE REPORT