

25kW X-Band Magnetron

M1321 is an adjustable frequency pulsed type X-band magnetron, designed to operate in the frequency range of 9313 to 9427 MHz and adjustable frequency range ± 15 MHz with a peak output power of 25 kW. It is waveguide output type and forced air cooled.

It is recommended to use our TL393 or TL368A as adequate protector for this magnetron.

----- ELECTRICAL -----

	Min	Typical	Max	Unit
Heater Voltage(Preheat)	5.7	6.3	6.9	V
Heater Voltage(Operation)	-	3.7(NOTE1)	-	V
Preheat time.....	120	-	-	S
Heater Current.....	0.43	0.52	0.9	A
Peak anode voltage	7.5	8.0	8.5	kV
Rate of rise of voltage pulse ...	-	70	120	kV/ μ s
Peak anode current	6.0	8.0	10.0	A
Mean anode current	-	8.0	10.0	mA
Peak anode input power	-	-	75	kW
Mean anode input power	-	-	85	W
Pulse duration	0.05	1.0	1.0	μ s
Duty Cycle	-	-	0.001	-
V.S.W.R at the output coupler ...	-	1.15	1.5	-
Peak output power	22.5	25	-	kW
Center frequency	9413	9420	9427	MHz
Adjustable frequency range	± 15	-	-	MHz

(NOTE1) Heater Voltage (Operation)= $0.08(110-P_i)$

P_i :Mean anode input power

----- MECHANICAL -----

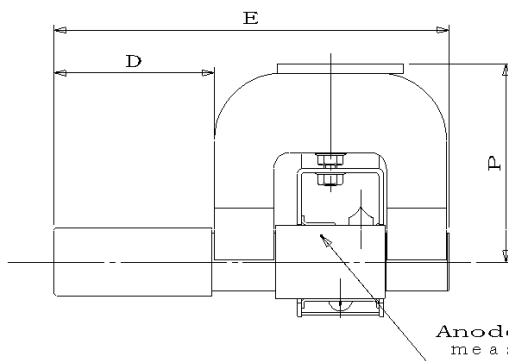
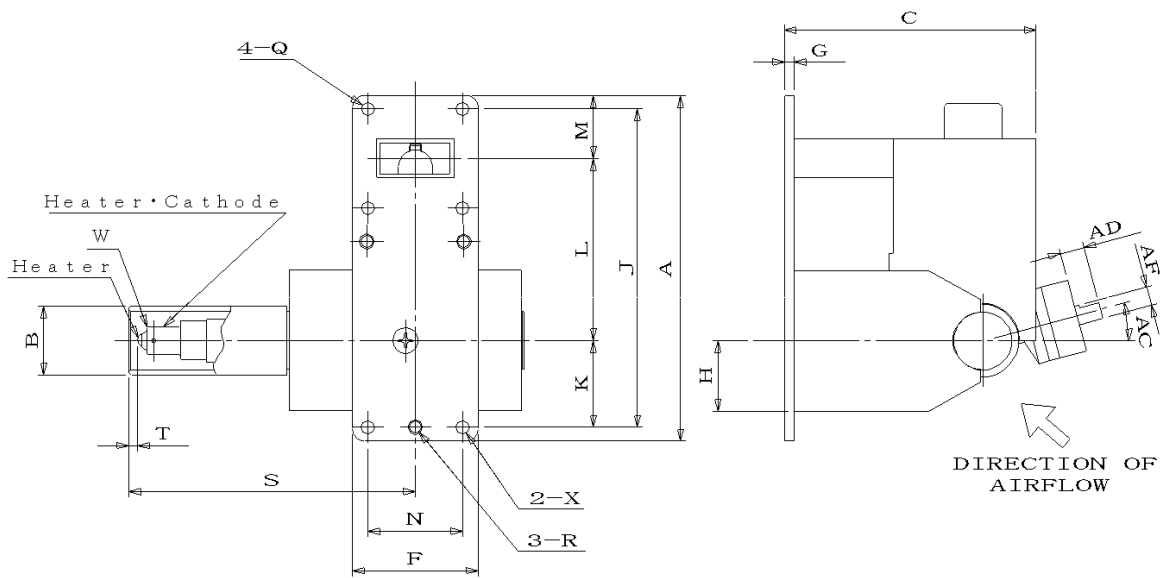
Overall dimensions	SEE outline
Net weight	1.6kg approx.
Output coupling	UG-40 B/U

New JRC could be available to customer's desire for frequency, lead and connector. For further information on it and the use of the magnetron please contact New JRC. New JRC reserves the right to change the specification of goods without notice.

OUTLINE

Note: Dimensions are in mm

M1321



	Dimensions (mm)	
	Min	Max
A	112.6	113.6
B	—	φ25.4
C	—	84.2
D	(52.5)	
E	—	137.0
F	(41.3)	
G	(3.2)	
H	(23.0)	
J	103.9	104.5
K	(28.3)	

	Dimensions (mm)	
	Min	Max
L	(59.7)	
M	(20.6)	
N	30.7	31.3
P	(64.8)	
Q	φ4.15	φ4.45
R	#10-32NF-2B	
S	(90.0)	
T	—	6.4
W	BA9S/13	
X	φ4.25	φ4.55
AC	12°	18°
AD	7.53	8.35
AF	6.11	6.32