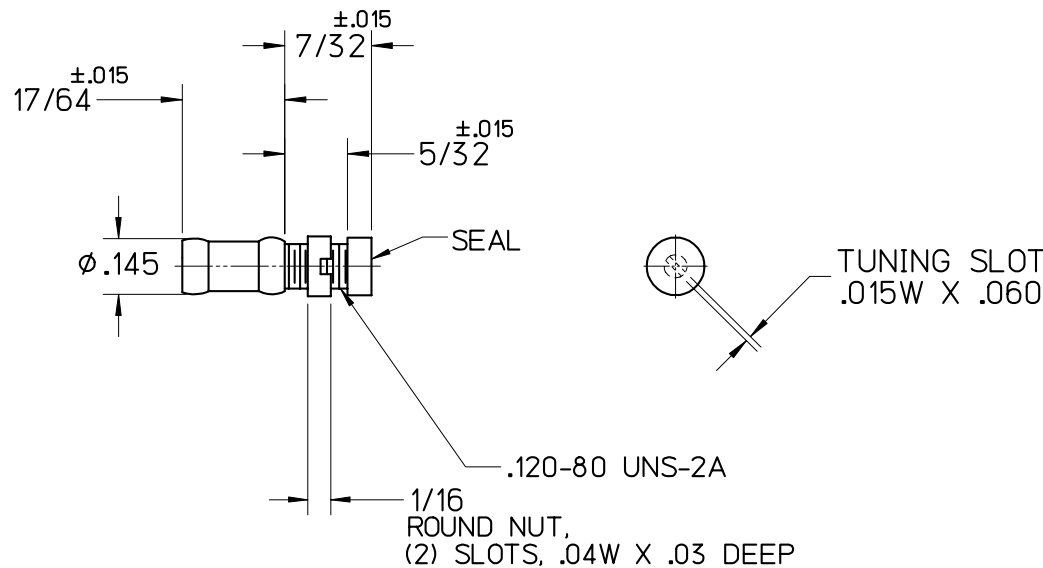


AIR TRIMMER CAPACITOR



SPECIFICATIONS		FILE: AIROUT
CAPACITY RANGE	0.35pF TO 3.5pF (>9 TURNS)	
WORKING VOLTAGE	250 VDC (TEST VOLT. 500 VDC)	
Q @100 MHz	> 10000	
INSULATION RESISTANCE	> 10^6 MEGOHMS	
TEMPERATURE RANGE	-65°C TO +125°C	
T O R Q U E	TUNING	0.3 TO 3.0 OZ. IN
	NUT MOUNTING	10 OZ. IN. MAX
	SEAL ASSEMBLY	5 OZ. IN. MAX
BRASS & INVAR STRUCTURE		
GLAZED ALUMINA INSULATION		
574°F SOLDER USED IN ASSEMBLY		
SILICONE RUBBER SEAL WASHER		
GOLD, SILVER, & CHROMATE FINISH		

B	09/06/06	MLD	-	-	000393
LEVEL	DATE	DRN.	CHK.	APP.	ECN
REVISIONS					
DRN.	CHK.	APP.	SCALE		
MLD	MAI	MAI	2" = 1"		
DATE	DATE	DATE	.XX ± .015		
09/06/06	11/08/06	11/08/06	.XXX ± .005		



JOHANSON MANUFACTURING CORPORATION
 ROCKAWAY VALLEY ROAD, BOONTON, N.J. 07005 (973)334-2676 FAX (973)334-2954
 ELECTRONIC ACCURACY THROUGH MECHANICAL PRECISION