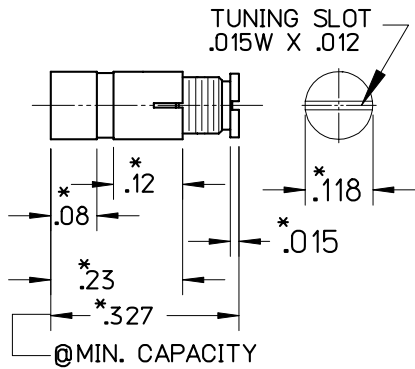
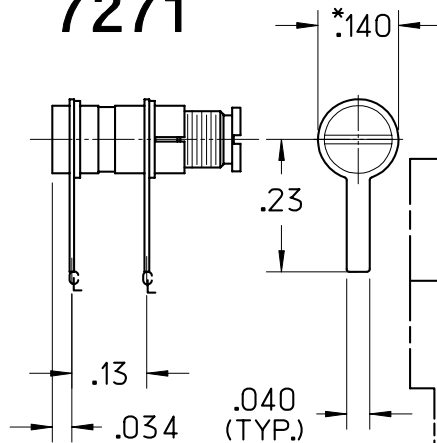


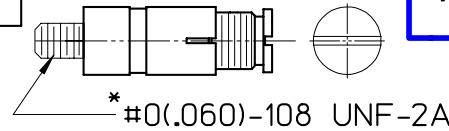
7270



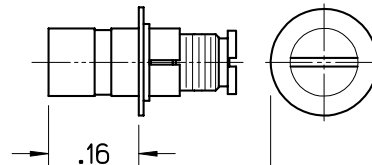
7271



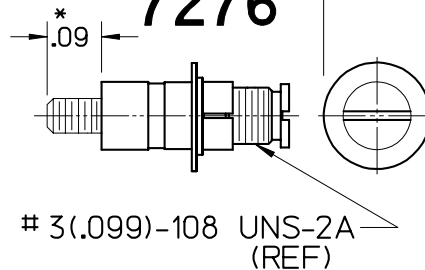
7272



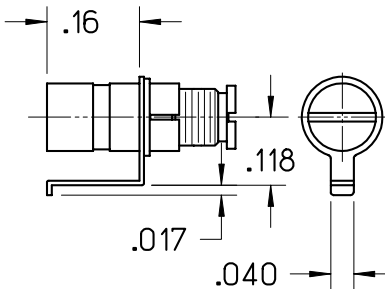
7275



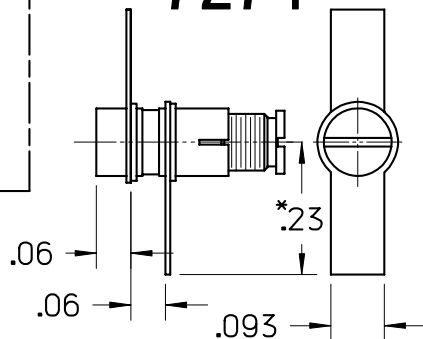
7276



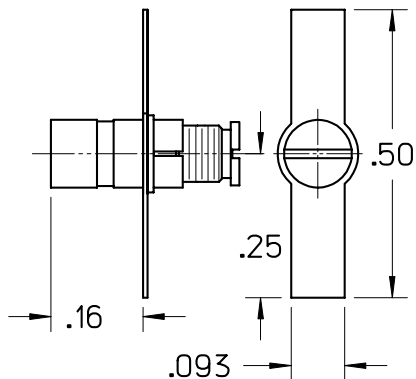
7273



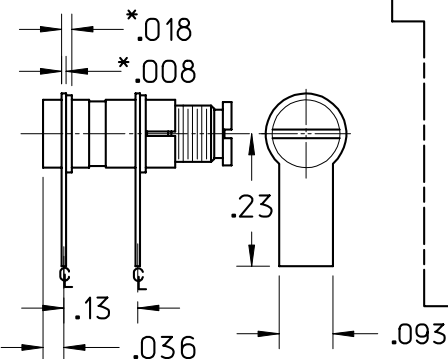
7274



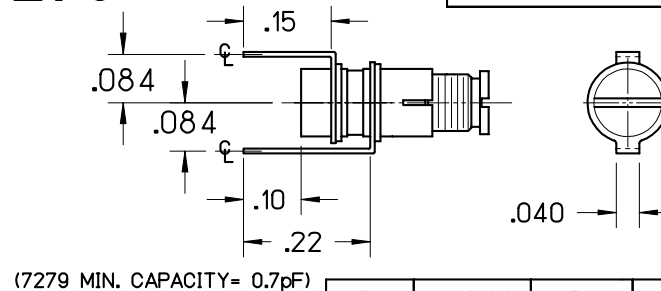
7277



7278



7279



MI DRG. NO. 7270P THRU 7279P REV. **7270^T_H_R_U7279** **P**

TRIMMER CAPACITOR (GIGA-TRIM[®])

SPECIFICATIONS		FILE: AIROUT
CAPACITY RANGE	0.6pF TO 4.5pF (>5 TURNS)	
WORKING VOLTAGE	500 VDC (1000 VDC TEST)	
Q @250 MHz	>2000	
INSULATION RESISTANCE	>10 ⁶ MEGOHMS	
TEMPERATURE RANGE	-65°C TO +125°C	
TORQUE	0.2 TO 2.0 OZ. IN	
ROTATIONAL LIFE	50 CYCLES (400 REVOLUTIONS)	
VIBRATION	15G @10-2000 Hz	
SHOCK	100G @6 ms	
MOISTURE RESISTANCE	10-24 HR. CYCLE	
BRASS STRUCTURE		
SAPPHIRE DIELECTRIC		
FINISHES: GOLD & CHROMATE		
NOTE: * DENOTES TYPICAL		

P	11/06/06	MLD	-	-	000442
LEVEL	DATE	DRN.	CHK.	APP.	ECN

REVISIONS

DRN.	CHK.	APP.	SCALE
MLD	MAI	MAI	3" = 1"
DATE	DATE	DATE	.XX ± .015
11/06/06	05/04/07	05/04/07	.XXX ± .005



JOHANSON MANUFACTURING CORPORATION

ROCKAWAY VALLEY ROAD, BOONTON, N.J. 07005 (973)334-2676 FAX (973)334-2954
ELECTRONIC ACCURACY THROUGH MECHANICAL PRECISION

PROPRIETARY INFORMATION CONTAINED NOT TO BE USED WITHOUT JOHANSON MANUFACTURING CORPORATION APPROVAL