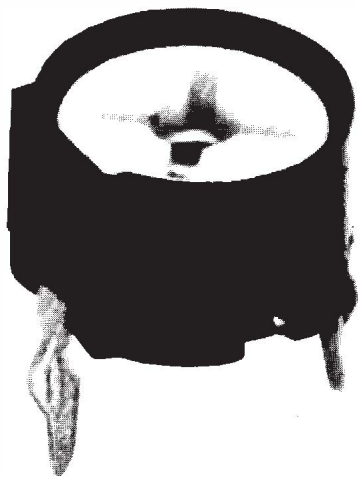




Ceramic Trimmer Capacitors

9386 TYPE

1.5 to 3 pF	4.2 to 20 pF
2.5 to 7 pF	5.5 to 30 pF
2.7 to 10 pF	8 to 50 pF
	12 to 70 pF



description

The Johanson 9386 snap-in, flux resistant trimmer is an extremely cost effective device which has been designed specifically for cost sensitive applications where automatic tuning capability is a requirement.

applications

- Consumer electronics
- Communication Devices
- LC Networks
- CATV

characteristics

- Operating temp. -30°C to +85°C
- Rated voltage 100 VDC
- Insulation resistance > 10⁴ MegΩ @ 100 VDC

JMC Tuning Tool 8777



Prototyping Kit JK936

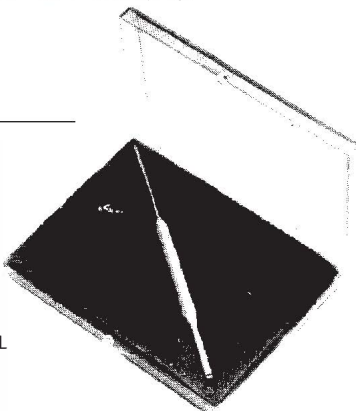
For prototyping specify:
CERAMIC TRIMMER

JK-936 CAPACITOR KIT

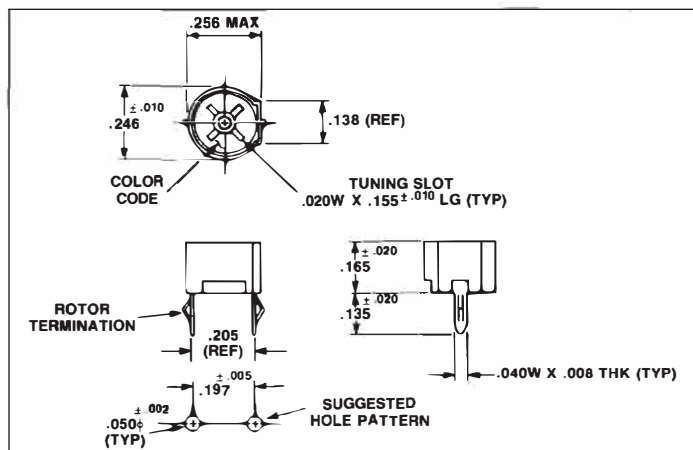
QTY.	UNIT	RANGE pF
4	9386-1PC	1.5 to 3
4	9386-3PC	2.7 to 10
4	9386-4PC	4.2 to 20
4	9386-5RPC	5.5 to 30
4	9386-6PC	8 to 50
4	9486-7PC	12 to 70

8777

TUNING TOOL

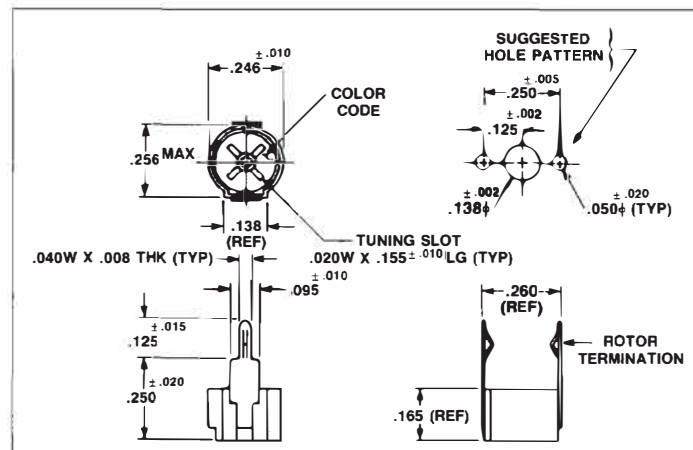


PRINTED CIRCUIT MOUNT



ACTUAL SIZE	JMC P/N	RANGE pF	TC PPM/°C	MIN Q @ 10 MHz	TORQUE OZ. IN.	COLOR CODE
	9386-1PC	1.5 to 3.0	NPO ± 200	> 300	0.3 to 3.0	BLACK
	9386-2PC	2.5 to 7.0	NPO ± 200	> 300	0.3 to 3.0	BLUE
	9386-3PC	2.7 to 10.0	NPO ± 200	> 300	0.3 to 3.0	WHITE
	9386-4PC	4.2 to 20.0	-450 ± 300	> 300	0.3 to 3.0	RED
	9386-5PC	5.5 to 30.0	-750 ± 300	> 200	0.3 to 3.0	GREEN
	9386-6PC	8.0 to 50.0	-1200 ± 600	> 200	0.3 to 3.0	ORANGE
	9386-7PC	12.0 to 70.0	-1500 ± 600	> 200 @ (1 MHz)	0.3 to 3.0	GRAY

REVERSE PRINTED CIRCUIT MOUNT



ACTUAL SIZE	JMC P/N	RANGE pF	TC PPM/°C	MIN Q @ 10 MHz	TORQUE OZ. IN.	COLOR CODE
	9386-1RPC	1.5 to 3.0	NPO ± 200	> 300	0.3 to 3.0	BLACK
	9386-2RPC	2.5 to 7.0	NPO ± 200	> 300	0.3 to 3.0	BLUE
	9386-3RPC	2.7 to 10.0	NPO ± 200	> 300	0.3 to 3.0	WHITE
	9386-4RPC	4.2 to 20.0	-450 ± 300	> 300	0.3 to 3.0	RED
	9386-5RPC	5.5 to 30.0	-750 ± 300	> 200	0.3 to 3.0	GREEN
	9386-6RPC	8.0 to 50.0	-1200 ± 600	> 200	0.3 to 3.0	ORANGE
	9386-7RPC	12.0 to 70.0	-1500 ± 600	> 200 @ (1 MHz)	0.3 to 3.0	GRAY