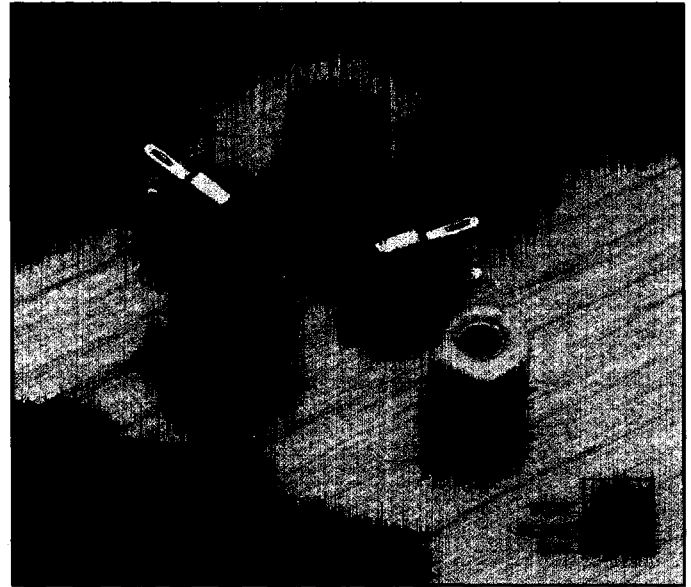


Ceramic Trimmer Capacitors

The 9387 snap-in, flux resistant trimmer is an extremely cost effective device which has been designed specifically for cost sensitive applications where automatic tuning capability is a requirement.

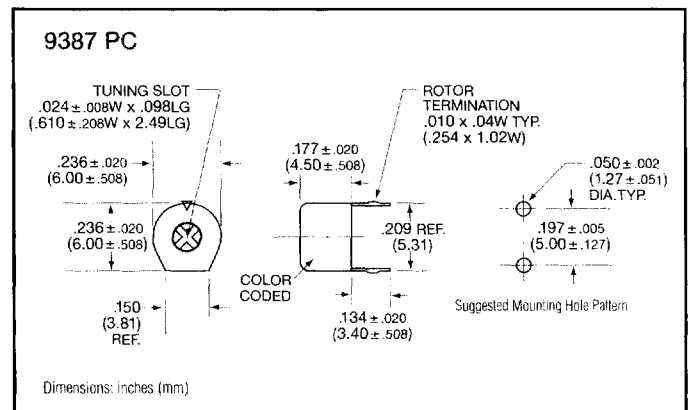
Characteristics

- Rated voltage: 50 VDC (test voltage 110 VDC)
- Insulation resistance: $>10^4$ meg Ω
- Operating temperature range: -30°C to $+85^{\circ}\text{C}$
- Torque: 0.3 to 3.0 oz. in.



Prototyping Kit

JMC KIT JK-387	QUANTITY	RANGE pF
9387-2PC	3	2.0 to 5.0
9387-3PC	3	3.0 to 10
9387-4PC	3	4.2 to 20
9387-5PC	3	6.2 to 30
9387-7PC	3	6.8 to 40
9387-8PC	3	10.2 to 60
8777	1	Tuning Tool



Specifications

JMC P/N	RANGE pF	TC PPM/ $^{\circ}\text{C}$	MIN. Q @ 1 MHz	COLOR CODE
9387-2PC	2.0 to 5.0	NPO ± 200	>500	Blue
9387-3PC	3.0 to 10.0	N470 ± 300	>500	White
9387-4PC	4.2 to 20.0	N750 ± 300	>500	Red
9387-5PC	6.2 to 30.0	N750 ± 300	>500	Green
9387-6PC	9.8 to 50.0	N1200 ± 500	>300	Brown
9387-7PC	6.8 to 40.0	N1200 ± 500	>300	Yellow
9387-8PC	10.2 to 60.0	N1200 ± 500	>200	Brown