

MI DRG. NO.

9694G

REV.

**9694****G****SEAL-TRIM<sup>®</sup> CAPACITOR**

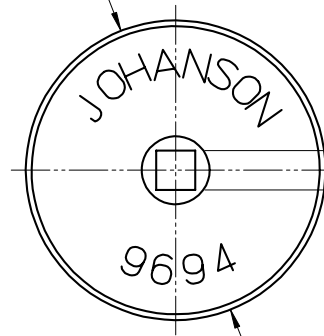
SPECIFICATIONS

FILE: THINOUT

CAPACITY RANGE	7.5 pF TO 50 pF
WORKING VOLTAGE	400 VDC (TEST VOLTAGE 800 VDC)
Q @ 1 MHz	>1000
INSULATION RESISTANCE	> 10 <sup>4</sup> MEGOHMS
TEMPERATURE RANGE	-20°C TO +85°C
TORQUE	0.2 TO 2.0 OZ. IN.
MOISTURE RESISTANCE	MIL-STD-202, METHOD 106
SHOCK	100 g @ 6 ms
VIBRATION	15 g @ 10-2000 Hz
SETTING DRIFT	< 1%

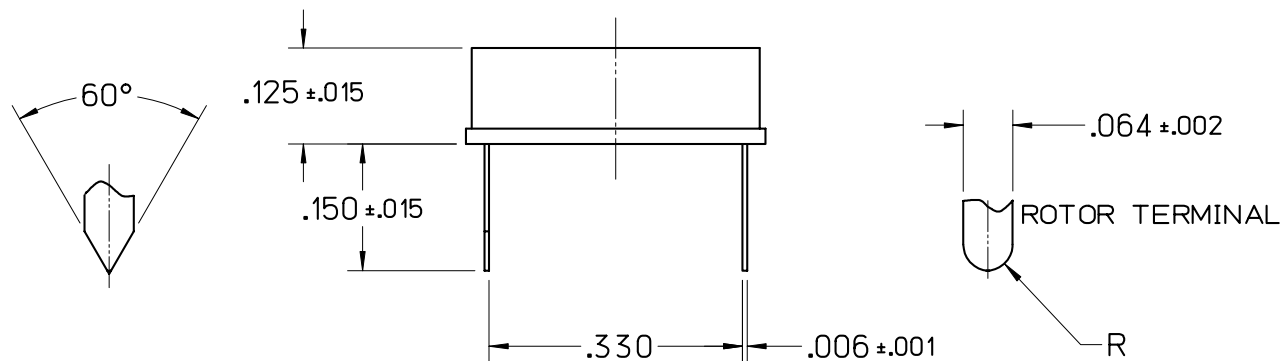
CERAMIC DIELECTRIC STRUCTURE

GOLD FINISH TERMINALS

 $\phi .390 \pm .010$ SQUARE DRIVE  
TUNING

.050

9694



60°

.125 ± .015

.150 ± .015

.330

.006 ± .001

.064 ± .002

ROTOR TERMINAL

R

G	08/07/06	ERS	MAI	MAI	000423
F	03/31/00	MLD	-	-	000-127
LEVEL	DATE	DRN.	CHK.	APP.	ECN

## REVISIONS

DRN. MLD	CHK. TAM	APP. JHT	SCALE 4" = 1"
DATE 03/31/00	DATE 04/03/00	DATE 04/03/00	.XX ± .015 .XXX ± .005

**JOHANSON MANUFACTURING CORPORATION**ROCKAWAY VALLEY ROAD, BOONTON, N.J. 07005 (973)334-2676 FAX (973)334-2954  
ELECTRONIC ACCURACY THROUGH MECHANICAL PRECISION

PROPRIETARY INFORMATION CONTAINED NOT TO BE USED WITHOUT JOHANSON MANUFACTURING CORPORATION APPROVAL