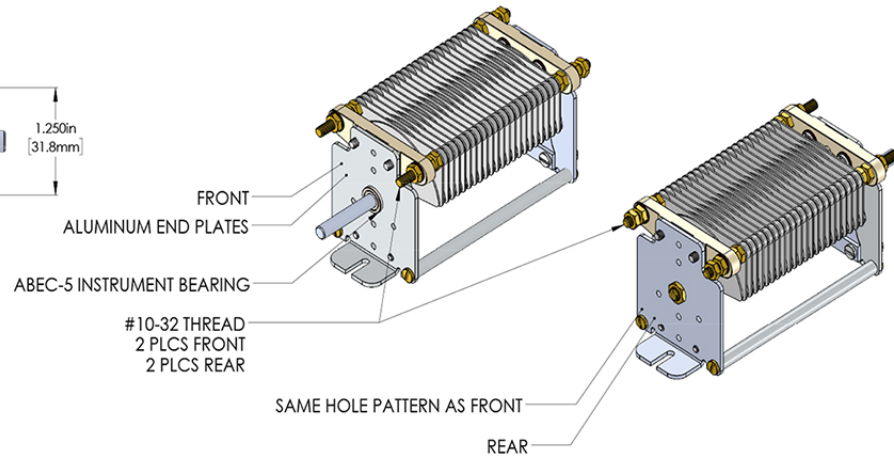
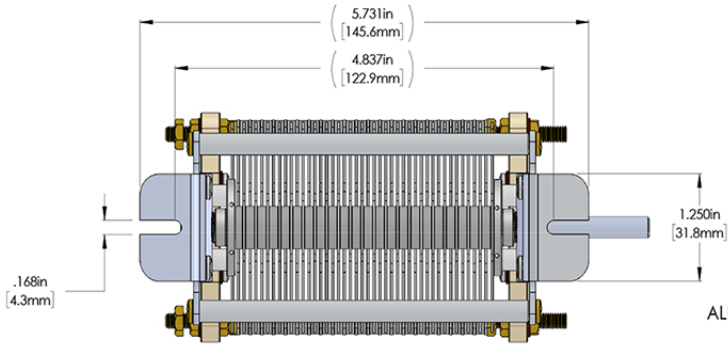
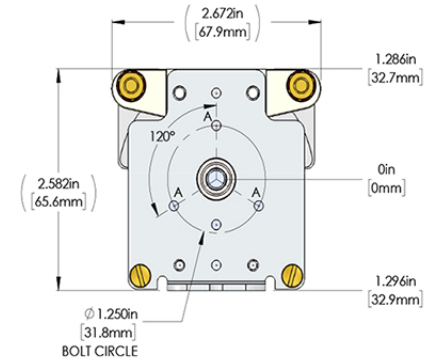
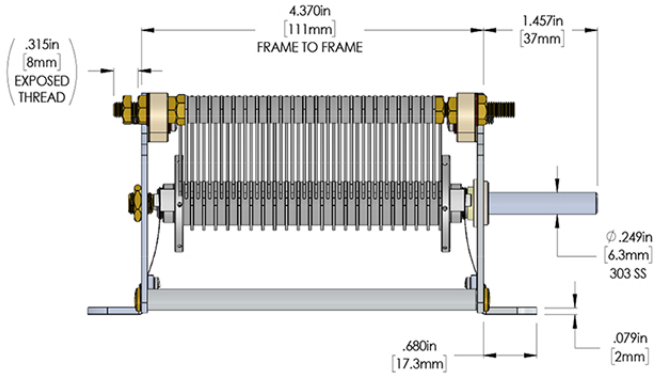


A = HOLES MAY BE TAPPED #6-32



Min Capacitance, pF	Max Capacitance, pF	Max Voltage, Vrms	Max Current, Arms
20 pF	495 pF	1550 Vrms	20 Arms