

RC-280RA/SA



Carbon-brush motors

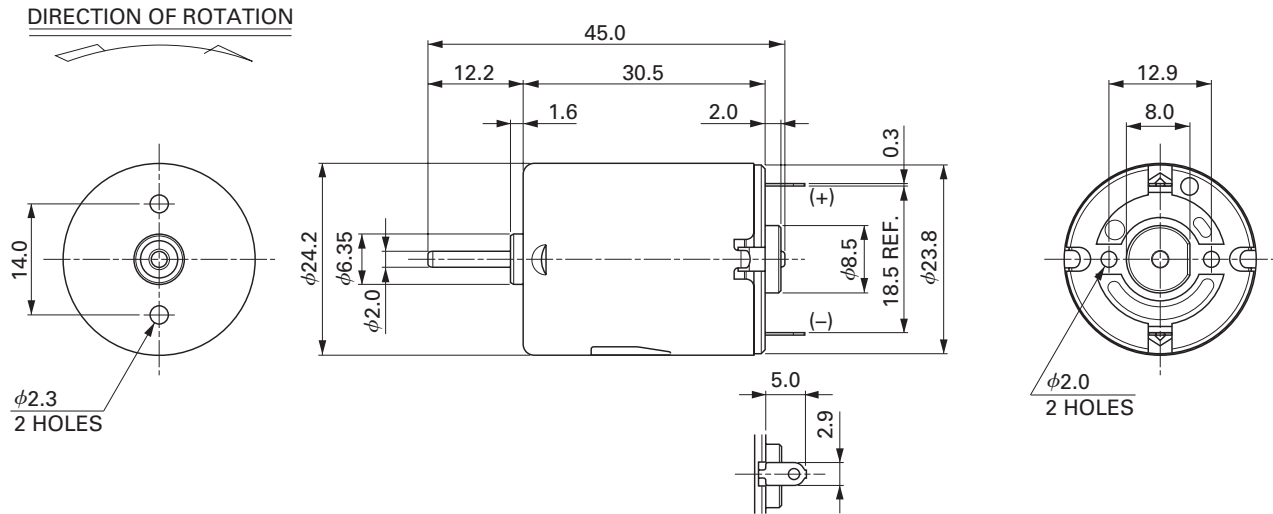
OUTPUT : 0.5W~24W (APPROX)

WEIGHT : 42g (APPROX)

Typical Applications Home Appliances : Hair Clipper / Massager / Vibrator
Toys and Models : Radio Control Model

MODEL	VOLTAGE		NO LOAD		AT MAXIMUM EFFICIENCY					STALL		
	OPERATING RANGE	NOMINAL	SPEED	CURRENT	SPEED	CURRENT	TORQUE		OUTPUT	TORQUE		CURRENT
			r/min	A	r/min	A	mN-m	g-cm	W	mN-m	g-cm	A
RC-280RA-2865	4.5~6.0	4.5V CONSTANT	13600	0.27	11350	1.36	2.92	29.8	3.47	17.7	180	6.90
RC-280RA-20120	4.5~9.0	6V CONSTANT	9900	0.12	8210	0.58	2.26	23.0	1.94	13.2	135	2.82
RC-280RA-2485	4.5~8.4	7.2V CONSTANT	16800	0.21	14260	1.18	3.27	33.3	4.87	21.6	220	6.60
RC-280SA-2865	4.5~9.0	6V CONSTANT	14000	0.28	11910	1.60	4.46	45.5	5.56	29.9	305	9.10
RC-280SA-20120	4.5~12.0	12V CONSTANT	15500	0.15	13320	0.92	4.68	47.7	6.52	33.3	339	5.60
RC-280SA-2485	4.5~9.6	6V CONSTANT	10800	0.18	9130	0.99	3.71	37.8	3.54	24.0	245	5.40

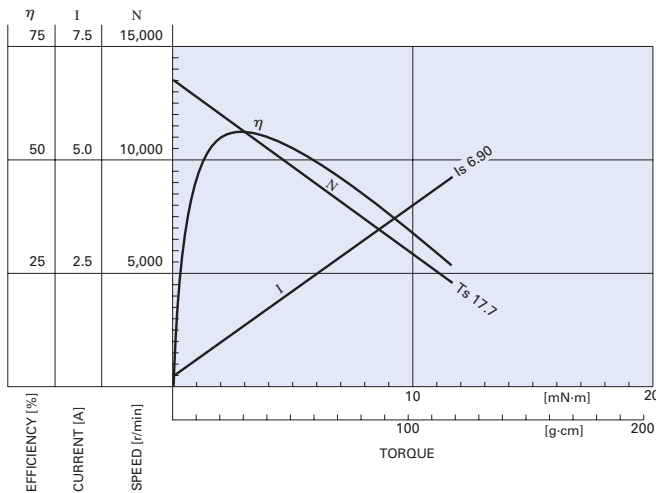
While the RC280RA1173 available from Surplus Sales of Nebraska has similar dimensions and weight as listed below. We have no voltage, load, speed, or torque ratings for the 1173 model of this motor.



UNIT: MILLIMETERS

RC-280RA-2865

4.5V



RC-280SA-2865

6.0V

