

# SLO-SYN<sup>®</sup> SYNCHRONOUS/STEPPING MOTOR

## TYPES TS50 and TS52

**INSPECTION** — Motors should be inspected for visible shipping damage. Note: Because of the strong permanent magnet, the shaft will not turn freely — even on motors without gears.

**Motors should not be taken apart.** Removing the rotor will reduce output torque about 5% when the motor is reassembled and the permanent magnet will pick up steel chips.

Limit switches should be placed as indicated in connection diagram. Never place limit switches between the phase shifting components and the motor.

Shielded bearings are used which require no lubrication for the life of the motor. The motor can be operated in ambient temperatures from  $-25^{\circ}\text{C}$  to  $+40^{\circ}\text{C}$ .

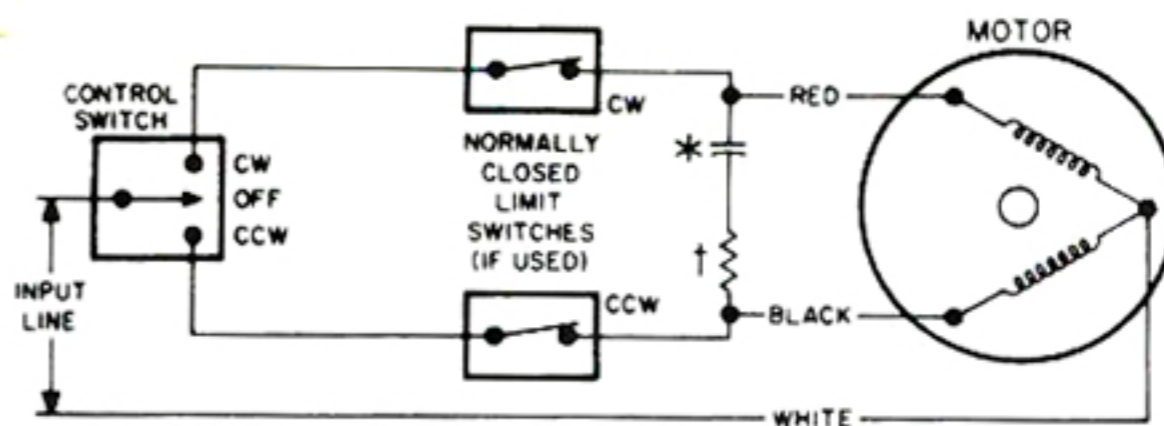
The right to make engineering refinements on all products is reserved. Dimensions and other details are subject to change.

Manufactured Under One Or More Of The Following U.S. Patents: RE25,445; 2,931,929; 3,148,319; 3,206,623; 3,206,662; 3,286,109; 3,321,651; 3,495,109; 3,535,604. Patented Canada 1962, 1965, 1966, 1968, 1971.

SE-1118413K

PRINTED IN USA

WIRING DIAGRAM



NOTE: Direction of rotation determined when looking at name plate end of motor.

RATINGS AND SPECIFICATIONS

TYPE	INPUT LINE	*CAPACITOR	†RESISTOR
TS50	120 VOLT 50/60*HERTZ	3.75 MFD $\pm 6\%$ 330 VAC	300 OHM $\pm 5\%$ 25 WATT
TS52	240 VOLT 50/60 HERTZ	1.0 MFD $\pm 6\%$ 660 VAC	1200 OHM $\pm 5\%$ 25 WATT



# Superior Electric

Bristol, Conn. 06010

MS2105G140