

11 X

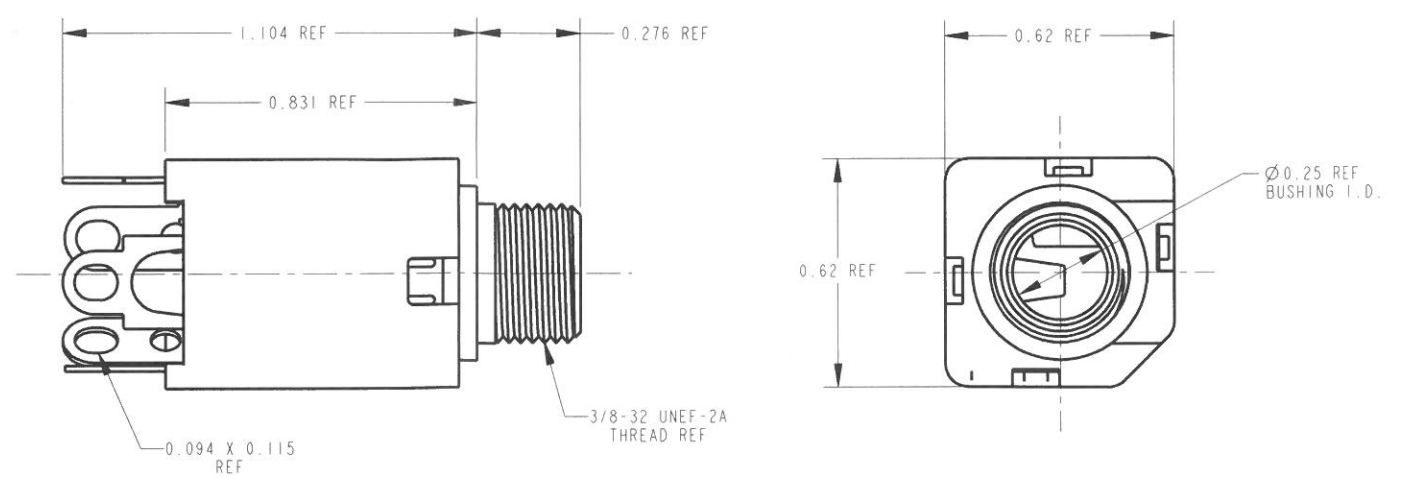
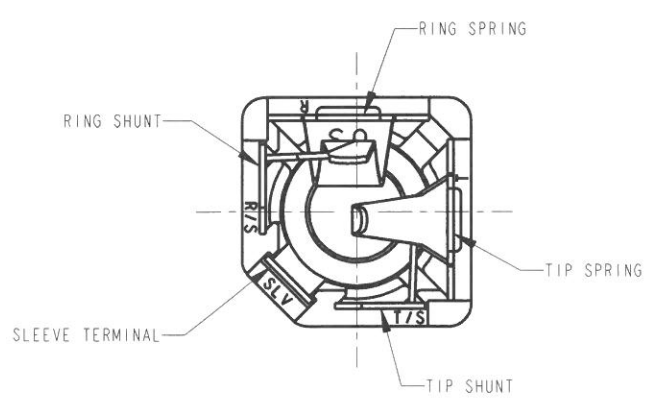
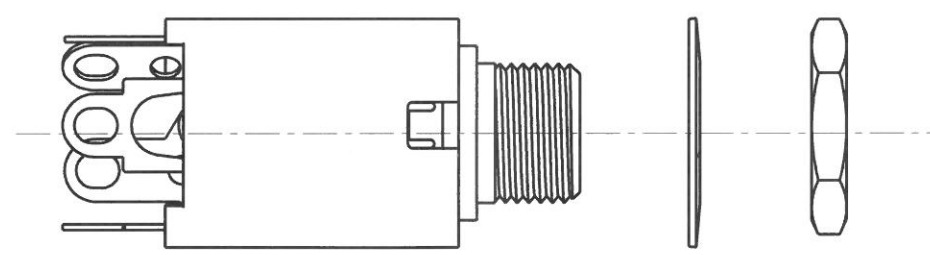
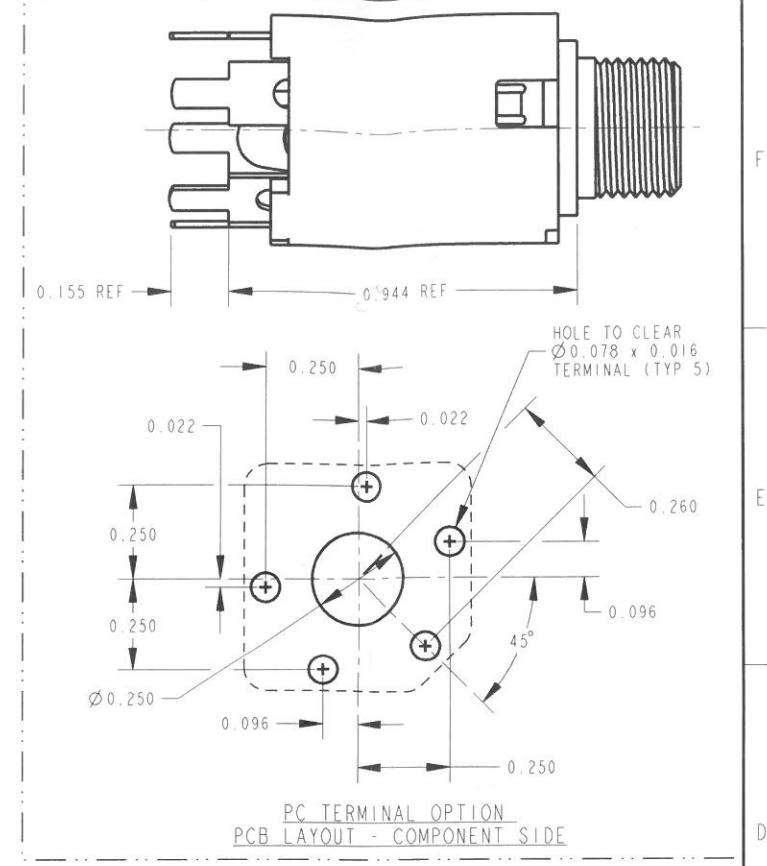
TERMINAL FINISH OPTIONS:
 BLANK - (STD) ELECTRO-TIN PLATED
 M - GOLD PLATED SPRINGS WITH GOLD CONTACTS ON RING SPRINGS AND SHUNT SPRINGS (WHEN SHUNTS ARE USED)

RoHS COMPLIANT

TERMINAL OPTIONS:
 BLANK - SOLDER TERMINAL
 PC - 0.078 WIDE PC TAILS
 PCS - SNAP-IN PC TAILS

CIRCUITRY OPTIONS:

1 - TIP OPEN CIRCUIT	
2A - TIP CLOSED CIRCUIT	
2B - TIP & RING OPEN CIRCUIT	
3 - TIP OPEN CIRCUIT AND ISOLATE "MAKE" CIRCUIT	
3B - TIP CLOSED CIRCUIT AND RING OPEN CIRCUIT (I-C TRANSFER)	
3D - 1 TIP CLOSED CIRCUIT AND 1 TIP OPEN CIRCUIT	
3E - TIP OPEN CIRCUIT AND ISOLATED "BREAK" CIRCUIT	
3F - TIP OPEN CIRCUIT AND RING CLOSED CIRCUIT	
4B - TIP & RING CLOSED CIRCUIT	



- NOTES:
- HARDWARE SHIPPED UNASSEMBLED.
 - MAXIMUM PANEL THICKNESS: 0.156
 - MATERIALS:
 HOUSING - POLYESTER GLASS FILLED, BLACK
 BUSHING - BRASS, NICKEL PLATED
 SLEEVE TERMINAL - BRASS, LEAD FREE ELECTRO-TIN PLATED
 SPRINGS - NICKEL SILVER, LEAD FREE ELECTRO-TIN PLATED
 LIFTERS - NYLON (113 & 113E CIRCUIT OPTIONS)
 WASHER - STEEL, NICKEL PLATED
 NUT - BRASS, NICKEL PLATED
 - THIS PRODUCT IS RoHS COMPLIANT.

CUSTOMER DRAWING

★ STAR SYMBOL DENOTES CRITICAL DIMENSION

UNLESS OTHERWISE SPECIFIED

1. ALL DIMENSIONS IN INCHES
 - TWO PLACE DECIMALS ±0.01
 - THREE PLACE DECIMALS ±0.005
 - ANGLES ±1°
 - ALL DIA. CONCENTRIC WITHIN 0.005 T. I. R.

2. FEATURES ON THE SAME CENTERLINE MUST BE ALIGNED WITHIN ±0.002

3. REMOVE ALL BURRS

DO NOT SCALE DRAWING

SIZE	WIDTH	MULT	LBS/M	TEMPER
FINISH				
SPEC No.				
FIRST USED ON			SCALE	
			3:1	
DATE DRAWN	BY	CHKD	APVD	
4-18-06	TJK	TJK	MW	
			MATERIAL	
			SPEC No.	
Switchcraft				
NAME #3/8-32 THREADED BUSHING			PART No. 110X SERIES	
Ø0.25 I.D., HI-D JACK ASSY, RoHS			M10X SERIES	
REV A			REV A	