

OPERATING INSTRUCTIONS



TYPE 546-C
AUDIO-FREQUENCY
MICROVOLTER

GENERAL RADIO COMPANY

L

GENERAL RADIO COMPANY

WEST CONCORD, MASSACHUSETTS

EMerson 9-4400

MIssion 6-7400

DISTRICT OFFICES

NEW YORK

Broad Ave. at Linden, Ridgefield, N. J.
Telephone N.Y. WOrth 4-2722
N.J. WHitney 3-3140

SYRACUSE

Pickard Bldg.
East Molloy Rd., Syracuse 11, N. Y.
Telephone GLenview 4-9323

PHILADELPHIA

1150 York Rd., Abington, Penna.
Telephone TURner 7-8486
Phila., HAncock 4-7419

WASHINGTON

8055 13th St., Silver Spring, Md.
Telephone JUNiper 5-1088

FLORIDA

113 East Colonial Drive, Orlando, Fla.
Telephone GARden 5-4671

CHICAGO

6605 West North Ave., Oak Park, Ill.
Telephone VIlIage 8-9400

LOS ANGELES

1000 N. Seward St., Los Angeles 38, Calif.
Telephone HOLlywood 9-6201

SAN FRANCISCO

1186 Los Altos Ave., Los Altos, Calif.
Telephone WHitecliff 8-8233

CANADA

99 Floral Pkwy., Toronto 15, Ont.
Telephone CHerry 6-2171

REPAIR SERVICES

EAST COAST

General Radio Company
Service Department
22 Baker Ave., W. Concord, Mass.
Telephone EMerson 9-4400

NEW YORK

General Radio Company
Service Department
Broad Ave. at Linden, Ridgefield, N. J.
Telephone N.Y. WOrth 4-2722
N.J. WHitney 3-3140

MIDWEST

General Radio Company
Service Department
6605 West North Ave., Oak Park, Ill.
Telephone VIlIage 8-9400

WEST COAST

General Radio Company
Service Department
1000 N. Seward St., Los Angeles 38, Calif.
Telephone HOLlywood 9-6201

CANADA

General Radio Company
Service Department
99 Floral Pkwy., Toronto 15, Ont.
Telephone CHerry 6-2171

General Radio Company (Overseas), Zurich, Switzerland
Representatives in Principal Overseas Countries

Printed in U.S.A.

OPERATING INSTRUCTIONS

TYPE 546-C

**AUDIO-FREQUENCY
MICROVOLTER**

Form 0546-0100-L

February, 1962

G E N E R A L R A D I O C O M P A N Y

WEST CONCORD, MASSACHUSETTS, USA

6091

SPECIFICATIONS

Output Voltage Range:	0.5 μv to 1.0 v, with 2.2-v input voltage.
Accuracy:	For open-circuit output voltages the calibration is accurate within $\pm(3\% + 0.5 \mu\text{v})$ for output settings above 1 μv and for all frequencies between 20 and 20,000 cps. For frequencies up to 100 kc the calibration is accurate within $\pm 5\%$ for output settings above 100 μv . These specifications apply only where waveform and temperature errors are negligible (see below). In calculating ratios of output voltages at a given frequency, the accuracy of any given reading can be considered to be within $\pm(2\% + 0.5 \mu\text{v})$, at frequencies up to 100,000 cps. At frequencies above 20 kc this accuracy applies only at levels above 100 μv .
Output Impedance:	Approximately 600 ohms and is constant with setting within $\pm 5\%$. This impedance is low enough so that no correction on output voltage is necessary for load impedances of the order of 100,000 ohms or more.
Input Impedance:	Approximately 600 ohms, substantially independent of output setting on all but the highest multiplier setting.
Waveform Error:	Refer to paragraph 3.4.
Temperature Error:	Refer to paragraph 3.3.
Power Source:	The driving oscillator must be able to supply about 2.2 v across 600 ohms, or about 8 mw.
Terminals:	Jack-top binding posts with standard 3/4-in. spacing.
Dimensions:	Width 10, height 7-1/8, depth 6-1/8 inches (255 by 180 by 155 mm), over-all.
Net Weight:	6-1/2 lb (3 kg).

TABLE OF CONTENTS

Section 1 INTRODUCTION	1
1.1 Purpose	1
1.2 Description	1
1.3 Oscillator Requirements	2
Section 2 OPERATING PROCEDURE	2
2.1 Normal Operation	2
2.2 Use of Input Voltages Less Than 2.2 Volts	3
2.3 D-C Voltages.	3
2.4 Measurement of Unknown Voltages	3
Section 3 ERRORS AND CORRECTIONS	4
3.1 General	4
3.2 Over-All Accuracy	4
3.3 Temperature Error	5
3.4 Waveform Error.	5
3.5 Output Impedance	5
Section 4 SERVICE AND MAINTENANCE	6
4.1 General	6
4.2 Potentiometer Electrical Noise	6
4.3 Parts List	6
SCHEMATIC DIAGRAM	7



Figure 1.
Panel View, Type 546-C Audio-Frequency Microvoltmeter.

TYPE 546-C

AUDIO-FREQUENCY MICROVOLTER

Section 1

INTRODUCTION

1.1 PURPOSE. The Type 546-C Audio-Frequency Microvolter (Figure 1) is a calibrated attenuator or voltage divider which, when used with a suitable oscillator, supplies small, accurately known audio-frequency voltages. Use of the Microvolter converts an oscillator into a standard-signal generator, valuable in such measurements as gain or loss, frequency-response characteristics, overload level, and hum level on amplifiers, networks, and other audio-frequency equipment. The combination of oscillator and Microvolter is also useful in the measurement of the generated voltage of microphones, vibration and phonograph pickups, and other transducers by the insert-voltage method. The Microvolter provides the standardizing voltmeter and the calibrated attenuator necessary to supply accurately known voltages from 0.5 microvolt to 1 volt (open circuit).

1.2 DESCRIPTION.

1.2.1 GENERAL. The Microvolter consists, essentially, of a constant-impedance attenuator and a voltmeter by which the input to the attenuator is standardized. A switch controls the output voltage in decade steps, while an individually calibrated dial provides continuous control over each decade.

1.2.2 CONTROLS. The only controls are the OUTPUT and MULTIPLIER dial-knobs, by means of which the output voltage is set. The OUTPUT control is a continuous rotary knob and dial, the latter calibrated in voltage and in decibels above 1 microvolt. The voltage scale is approximately logarithmic, and the decibel scale approximately linear. The MULTIPLIER control is a six-position rotary switch, whose dial is calibrated in decade steps from 1 microvolt to 100 millivolts. The MULTIPLIER dial is also calibrated in 20-db steps from 0 to 100 db.

A meter on the front panel indicates input in volts and in decibels.

1.2.3 CONNECTIONS. A pair of jack-top binding posts, marked INPUT, provide the connection between the source of audio-frequency voltage and the Microvolter. Another pair of similar binding posts, marked OUTPUT, are the terminals at which the voltage indicated on the dials is available.

GENERAL RADIO COMPANY

1.3 OSCILLATOR REQUIREMENTS. An audio-frequency oscillator must be used to furnish voltage to the Microvolter. Oscillator output requirements are about 2.2 volts across 600 ohms, or about 8 milliwatts. The following General Radio oscillators are suitable:

Type 1210-C Unit R-C Oscillator
Type 1214-A Unit Oscillator
Type 1301-A Low-Distortion Oscillator
Type 1304-B Beat-Frequency Audio Generator
Type 1307-A Transistor Oscillator

1310

1311

1312

1313

Section 2

OPERATING PROCEDURE

2.1 NORMAL OPERATION. To provide an audio-frequency output between 0.5 microvolt and 1 volt, proceed as follows:

- a. Connect a suitable audio-frequency oscillator (refer to paragraph 1.3) to the INPUT terminals of the Microvolter.
- b. Connect the INPUT terminal marked G to the low-potential side of the oscillator, and, if possible, ground this connection.
- c. Vary the output of the oscillator until the Microvolter meter indicates 2.2 volts (0 db).
- d. Set the OUTPUT and MULTIPLIER dials so that the product of their voltage settings equals the desired output voltage. For highest accuracy, use the portion of the OUTPUT dial between 1.0 and 10. For example, if the desired output voltage is 50 microvolts, set the OUTPUT dial to 5 and the MULTIPLIER dial to 10 MICROVOLTS. If the desired output is 70 millivolts, set the OUTPUT dial to 7 and the MULTIPLIER dial to 10 MILLIVOLTS. Output in terms of decibels above 1 microvolt is denoted by the algebraic sum of the decibel indications on the two dials. Since the reference level is 1 microvolt, almost all decibel readings will be positive throughout the range of the instrument. When the Microvolter is used to supply a 600-ohm load, the output dbm (decibels above 1 milliwatt) equals the output in decibels above 1 microvolt minus 123.8 db.
- e. For all ordinary measurement purposes the OUTPUT terminals can be considered the terminals of a 600-ohm generator having the open-circuit terminal voltage indicated by the dial settings.

CAUTION

Never connect the Microvolter OUTPUT terminals across a circuit carrying current, either ac or dc. If the voltage drop at the OUTPUT terminals is over 4 volts, the Microvolter may be permanently damaged, while smaller drops may cause erroneous voltmeter indications.

TYPE 546-C AUDIO-FREQUENCY MICROVOLTER

f. If the output voltage is 100 microvolts or less, use a shielded oscillator and cup-shielded leads.

2.2 USE OF INPUT VOLTAGES LESS THAN 2.2 VOLTS. Since all dial markings are based on an input of 2.2 volts, an input of less than 2.2 volts would produce output voltages less than their indicated values. For instance, if the source is able to supply only 1.1 volts, the output voltage is one-half that indicated on the dials. This simple relationship is expressed:

$$E_o = \frac{E_m E_d}{2.2}$$

where: E_d = voltage indicated on dials
 E_m = voltage indicated on meter
 E_o = actual output voltage

Also, if reduced power input is unavoidable, the meter indication in decibels can be added algebraically to the dial decibel indications.

Although it might seem that the useful output range of the Microvoltage is increased by the above methods, any such increase is achieved at the expense of accuracy.

2.3 D-C VOLTAGES. The Microvoltage can be used on direct current if an external meter is used to measure the input voltage.

2.4 MEASUREMENT OF UNKNOWN VOLTAGES.

2.4.1 GENERAL. The Microvoltage can be used to measure unknown voltages either directly by means of the Microvoltage or by substitution methods. Voltmeter errors (refer to Section 3) must be considered when the Microvoltage meter is used to indicate directly voltage applied to the INPUT terminals.

2.4.2 SUBSTITUTION METHOD. In the substitution method, an unknown voltage can be fed into an external, high-impedance meter, and the deflection noted. With the input to the Microvoltage at 2.2 volts, the Microvoltage output can be fed into the same meter, and the dials adjusted to produce the same deflection. The Microvoltage dial settings will then indicate the unknown voltage. If necessary, connect a resistor in series with the external meter to produce a high input impedance.

2.4.3 INSERT-VOLTAGE METHOD. Several measurement techniques using the insert-voltage method can be devised, but the following example will serve to demonstrate the principles involved. Connect the source of the voltage to be measured, the Microvoltage, an amplifier, and an external meter as shown in Figure 2. Set the Microvoltage dial to zero and supply the unknown voltage to the external meter, noting the deflection. Then, with the unknown remaining in circuit but not supplying any voltage, vary

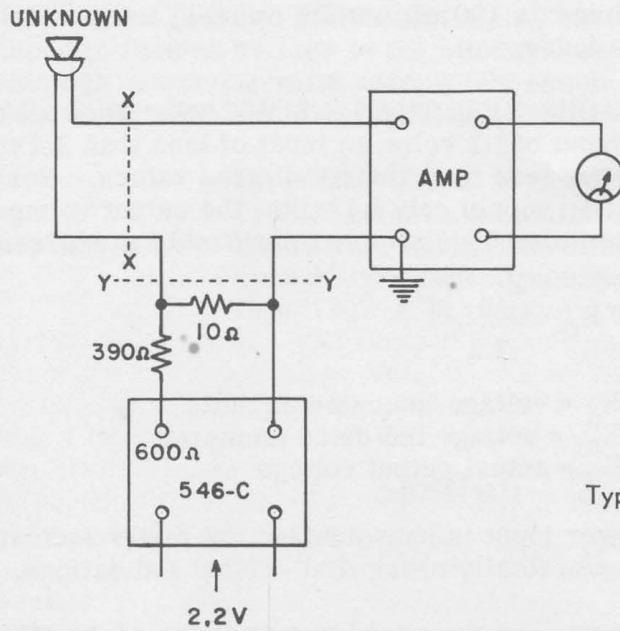


Figure 2.
Typical Measurement Setup Using
Insert-Voltage Method.

the Microvoltage dials to produce the same deflection on the external meter as noted before. (The Microvoltage should be operating with an input of 2.2 volts.) With the impedance values shown in the diagram, the unknown voltage will be $\frac{10}{600 + 390 + 10}$ or 1/100 of that indicated on the Micro-

voltage dials, since this gives the equivalent open-circuit voltage from the Microvoltage across Y-Y in the diagram. The voltage measured is the equivalent open-circuit voltage across X-X in the diagram.

For the circuit arrangement shown in Figure 2, it is essential that the unknown be operated ungrounded, so that the 10-ohm calibration resistor is not shorted by multiple grounds. Any stray capacitance to ground should be kept sufficiently low so that the shunting effect on the 10-ohm resistor is negligible.

Section 3

ERRORS AND CORRECTIONS

3.1 GENERAL. The Microvoltage is designed for use without calibration charts or correction curves, and its accuracy is more than sufficient for most measurements. Where extremely high accuracy is required or where the limits of error must be known, the following information should prove helpful.

3.2 OVER-ALL ACCURACY. For output settings above 1 microvolt at frequencies from 20 to 20,000 cps, the open-circuit output-voltage cali-

TYPE 546-C AUDIO-FREQUENCY MICROVOLT-ER

bration is accurate to within $\pm(3\% + 0.5 \text{ microvolt})$. At frequencies up to 100 kc the calibration is accurate to within $\pm 5\%$ for output settings above 100 microvolts. These specifications apply only when waveform and temperature errors are negligible (refer to paragraphs 3.3 and 3.4).

In calculating ratios of output voltages at a given frequency, the accuracy of any given reading can be considered to be within $\pm(2\% + 0.5 \text{ microvolt})$, at frequencies up to 100 kc. At frequencies above 20 kc this accuracy applies only at output levels above 100 microvolts.

To reduce errors in absolute-voltage values, check the Microvoltage against an accurate vacuum-tube voltmeter, such as the General Radio Type 1800-B. Set the Microvoltage for an output of 1000 millivolts, and adjust the input voltage to the Microvoltage until the vacuum-tube voltmeter indicates 1 volt. Thus, if the input to the Microvoltage is maintained, output voltages will be as indicated on the Microvoltage dials. This check can be repeated for different frequencies and operating temperatures.

3.3 TEMPERATURE ERROR. Any initial error that may be present in the indicating meter has been compensated for by calibration of the OUTPUT dial. As with all copper-oxide instruments, the meter is somewhat affected by temperature variations. Calibration is correct at 77 degrees F. For room temperatures below this value the correction is $-0.0046 \text{ volt per degree F}$. For temperatures above 77 degrees F, the correction is $+0.0023 \text{ volt per degree F}$. These corrections should be applied to the normal 2.2-volt meter indication to obtain the correct indication at the operating temperature. For example, if the temperature is 97 degrees F, the correction is $+0.0023(97-77)$, or 0.046 volt . This correction, added to the standard meter indication of 2.2 volts, gives a corrected meter setting of 2.246 volts. The accuracy of the calibration is independent of temperature when the Microvoltage is used as an attenuator or voltage divider.

3.4 WAVEFORM ERROR. The accuracy of the Microvoltage as a calibrated attenuator or voltage divider is independent of waveform. However, the absolute accuracy of the output voltage calibration depends on the characteristics of the input copper-oxide rectifier voltmeter, which has a waveform error that depends in turn on both the phase and the magnitude of harmonics present in the input. If the input voltage is not a pure sine wave, the resultant error for absolute measurements can be nearly as great as the percentage of harmonics present. This error can usually be overlooked when the Microvoltage is used with ordinary laboratory oscillators. The rectifier-type voltmeter itself introduces some distortion unless the source impedance is very low. With a source impedance of 600 ohms the distortion introduced is about 0.2 percent.

3.5 OUTPUT IMPEDANCE. Since the Microvoltage indicates open-circuit voltages, the internal output impedance must be taken into account with low-impedance loads. For loads greater than 100,000 ohms no correction need be made.

GENERAL RADIO COMPANY

Section 4

SERVICE AND MAINTENANCE

4.1 GENERAL. The two-year warranty given with every General Radio instrument attests the quality of materials and workmanship in our products. When difficulties do occur, our service engineers will assist in any way possible.

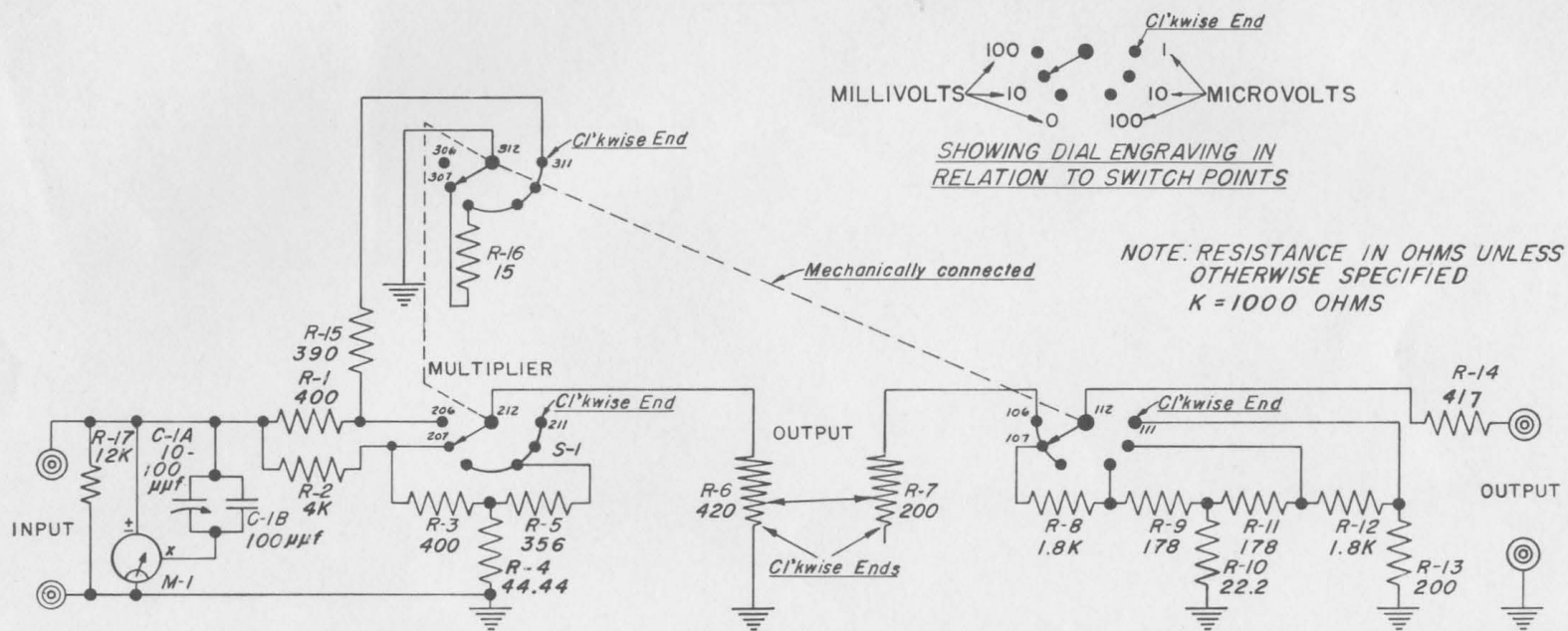
In case of difficulties that cannot be eliminated by the use of these service instructions, please write or phone our Service Department, giving full information of the trouble and of steps taken to remedy it. Be sure to mention the serial and type numbers of the instrument.

Before returning an instrument to General Radio for service, please write to our Service Department or nearest district office (see back cover), requesting a Returned Material Tag. Use of this tag will insure proper handling and identification. For instruments not covered by the warranty, a purchase order should be forwarded to avoid unnecessary delay.

4.2 POTENTIOMETER ELECTRICAL NOISE. Occasionally, rotation of the OUTPUT control may cause some electrical noise. This condition can be alleviated if the control is rapidly swept back and forth a few times.

4.3 PARTS LIST:

REF DESIG	DESCRIPTION	GR PART NO.
C1A	CAPACITOR, Trimmer, 10-100 μ f, 500 dcwv	COT-24
C1B	CAPACITOR, Mica, 100 μ f \pm 10%	COM-20B
M1	METER	MEDS-115
R1	RESISTOR, 400 Ω \pm 0.25%	} 546-302
R2	RESISTOR, 4 k \pm 0.25%	
R3	RESISTOR, 400 Ω \pm 0.25%	
R4	RESISTOR, 44.44 Ω \pm 0.25%	} 546-303
R5	RESISTOR, 356 Ω \pm 0.25%	
R6	RESISTOR, 420-440 Ω	} 546-30
R7	RESISTOR, 200 Ω \pm 5%	
R8	RESISTOR, 1800 Ω \pm 0.25%	} 546-304
R9	RESISTOR, 178 Ω \pm 0.25%	
R10	RESISTOR, 22.2 Ω \pm 0.5%	
R11	RESISTOR, 178 Ω 0.25%	} 546-305
R12	RESISTOR, 1800 Ω \pm 0.25%	
R13	RESISTOR, 200 Ω \pm 0.25%	
R14	RESISTOR, Film, 417 Ω \pm 1/2%, 1/2w	REF-70
R15	RESISTOR, Wire-wound, 390 Ω \pm 5%, 1/2 w	REW-3C
R16	RESISTOR, Wire-wound, 15 Ω \pm 10%, 1/2 w	REW-3C
R17	RESISTOR, Composition, 12 k \pm 10%, 1/2 w	REC-20BF
S1	SWITCH	546-321



TYPE 546-C AUDIO-FREQUENCY MICROVOLTER

Figure 3.

Schematic Diagram for Type 546-C Audio-Frequency Microvolter.