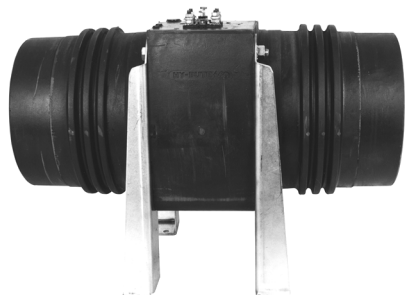


**5,000 V to 15,000 V BIL 60 kV to 110 kV**  
**Outdoor Current**  
**JCD-3/JCD-4/JCD-5**  
**1,200 A to 4,000 A**  
**5.56" Window**  
**50/60 Hz**



When choosing your GE Instrument Transformer, don't forget to explore the benefits of using GE's 0.15 accuracy class AccuBute line. See page 37.



JCD-3 and -4 current transformer

**Application**

Designed for outdoor service; suitable for operating meters, relays and control devices.

**ANSI Meter Accuracy Classification, 60 Hz**

B-0.1 through B-1; all models ..... 0.3  
 B-2 ..... refer to data table

**Weight - Shipping/Net**

(approximate, in pounds)  
 Transformer, JCD-3, JCD-4 ..... 120/110  
 Transformer, JCD-5 ..... 150/135

**Reference Drawings**

Accuracy Curves at 60 Hz:  
 1200:5 ..... 9689241075  
 1500:5 ..... 9689241076  
 2000:5 ..... 9689241078  
 3000:5 ..... 9689241080  
 4000:5 ..... 9689241081  
 600/1200:5 ..... 9689241083 & 9689241084  
 750/1500:5 ..... 9689241085 & 9689241086  
 1000/2000:5 ..... 9689241087 & 9689241088  
 1500/3000:5 ..... 9689241089 & 9689241090  
 2000/4000:5 ..... 9689241091 & 9689241092  
 Excitation Curves:  
 1200:5 ..... 9689241139  
 1500:5 ..... 9689241140  
 2000:5 ..... 9689241142  
 3000:5 ..... 9689241144  
 4000:5 ..... 9689241145  
 Outline Drawings:  
 JCD-3 and JCD-4 ..... 4153760  
 JCD-5 ..... 4153761  
 Wiring Diagram ..... refer to page 41, figure 3

JCD-3/JCD-4/JCD-5 DATA TABLE							
Current Ratio (in Amps) Pri : Sec	ANSI Accuracy Class, 60 Hz		Continuous Thermal Current Rating Factor 30°C Ambient	One-Second Thermal Limit, Amperes	Catalog Number		
	Meter Class, Burden B-2	Relay Class			JCD-3 5,000 V BIL 60 kV	JCD-4 8,700 V BIL 75 kV	JCD-5 15,000 V BIL110 kV
<b>Single Ratio</b>							
1200:5	0.3	C200	1.33	88,800	753X031008	754X031008	755X031008
1500:5	0.3	C200	1.33	111,000	753X031009	754X031009	755X031009
2000:5	0.3	C400	1.33	148,000	753X031011	754X031011	755X031011
3000:5	0.3	C400	1.33	282,000	753X031013	754X031013	755X031013
4000:5	0.3	C200	1.33	296,000	753X031014	754X031014	755X031014
<b>Dual Ratio</b>							
600/1200:5	--	C100	2.0	88,000	753X031016	754X031016	755X031016
	0.3	C200	1.33				
750/1500:5	0.6	C100	2.0	111,000	753X031017	754X031017	755X031017
	0.3	C200	1.33				
1000/2000:5	0.6	C200	2.0	148,000	753X031018	754X031018	755X031018
	0.3	C400	1.33				
1500/3000:5	0.3	C200	2.0	282,000	753X031019	754X031019	755X031019
	0.3	C400	1.33				
2000/4000:5	0.3	C100	2.0	296,000	753X031020	754X031020	755X031020
	0.3	C200	1.33				



Data subject to change without notice.

**Construction and Insulation**

Please refer to General Product Information, items 1.2 and 1.8.

**Core**

Please refer to General Product Information, item 2.2.

**Primary Terminals**

Please refer to General Product Information, item 4.16.

**“Pig Tail” Connection**

Please refer to General Product Information, item 3.13.

**Winding**

Please refer to General Product Information, item 3.4.

**Secondary Winding**

Please refer to General Product Information, item 3.4.

**Terminals**

Please refer to General Product Information, item 4.16.

**Conduit Box**

Please refer to General Product Information, item 12.2.

**Polarity**

Please refer to General Product Information, item 7.2.

**Baseplate and Mounting**

Please refer to General Product Information, item 5.11.

**Nameplate**

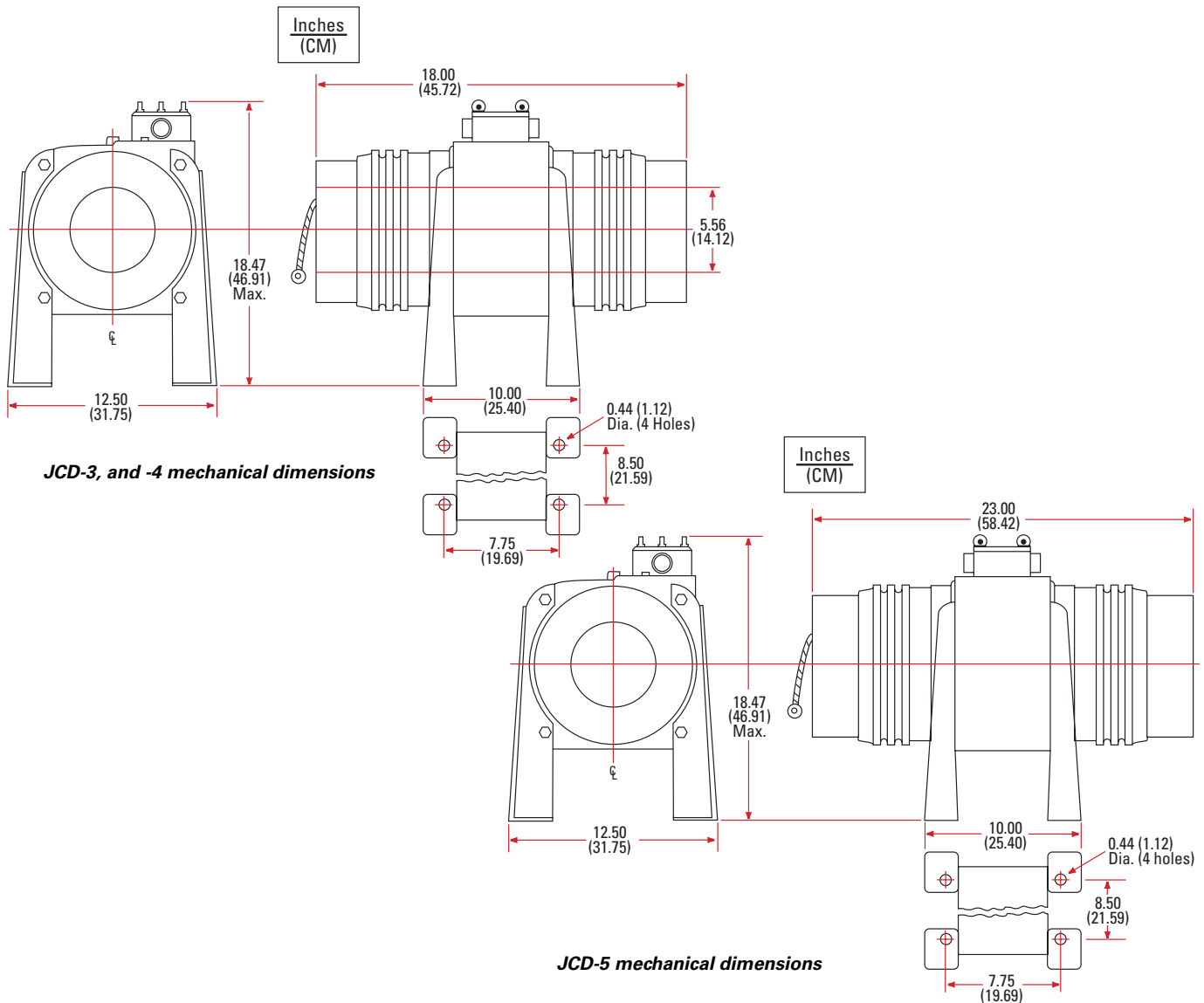
Please refer to General Product Information, item 6.1.

**Maintenance**

Please refer to General Product Information, item 10.1 and pages 24-27.

**Mechanical Rating**

Mechanical limits are omitted since, if bar-primary type transformers are properly installed, their mechanical strength is nearly unlimited.



*Data subject to change without notice.*